

Accessories

Donaldson offers an extensive line of accessories for hydraulic circuits, lines and reservoirs that will help you maintain proper ISO cleanliness levels.



Section Index

Filter Service Indicators	236
Visual Service Indicators	236
Differential Indicators & Switches.....	236
Replacement Indicators	236
Electrical Service Indicators.....	237
Visual Electrical Indicators	238
Visual Pressure Gauges	238
In-Line Accessories.....	239
Pressure Gauges	239
Test Points.....	242
Valves.....	246
Flanges	252
Reservoir Accessories	258
Strainers	259
Diffusers	262
Breathers	263
T.R.A.P.™ Breathers	264
ARV™ Active Reservoir Vent.....	277
Sight Glasses	281
Level Gauges	283



T.R.A.P.™ Breather Technology (Thermally Reactive Advanced Protection)

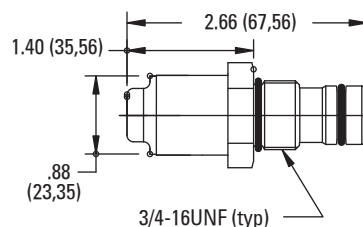
T.R.A.P. breathers provide fast-acting protection against airborne moisture and particulate contamination. It stops solid particulate down to 3 µm at 97% efficiency as well as prevents moisture from entering the reservoir. Water-holding capacity is regenerated with every oil return phase for long service life. Its self-regenerating capability enables extended life.

Filter Service Indicators

Visual Service Indicators

Part No.	Use with Bypass Valve Pressure of:	Description	Where Used
P569632	50 psi / 3.5 bar	35 psi/2.4 bar indicator kit* auto reset pop-out button	HPK02, HPK03, HPK04, HPK05
P569633	90 psi / 6.2 bar	70 psi/4.8 bar indicator kit* auto reset pop-out button	HPK02, HPK03, HPK04, HPK05
P567988	50 psi / 3.5 bar	35 psi/2.4 bar indicator kit* auto reset pop-out button with thermal lockout and surge control	HPK02, HPK03, HPK04, HPK05
P567989	90 psi / 6.2 bar	70 psi/4.8 bar indicator kit* auto reset pop-out button with thermal lockout and surge control	HPK02, HPK03, HPK04, HPK05

Visual (mechanical) Indicators (with auto reset pop-out button)



Differential Indicators and Switches

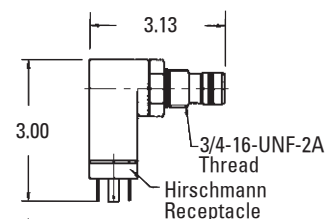
AC/DC Visual/Electrical Service Indicators

Part No.	Use with Bypass Valve Pressure of:	Description	Where Used
P569634	50 psi / 3.5 bar	35 psi/2.4 bar indicator kit* Hirschmann receptacle 115 VAC/28 VDC, 2 amps	HPK02, HPK03, HPK04, HPK05
P569635	90 psi / 6.2 bar	70 psi/4.8 bar indicator kit* Hirschmann receptacle 115 VAC/28 VDC, 2 amps	HPK02, HPK03, HPK04, HPK05
P567986	50 psi / 3.5 bar	35 psi/2.4 bar indicator kit* with thermal lockout and surge control, Hirschmann receptacle, 115 VAC/28 VDC, 2 amps, 4 pin DIN 43650	HPK02, HPK03, HPK04, HPK05
P567987	90 psi / 6.2 bar	70 psi/4.8 bar indicator kit* with thermal lockout and surge control, Hirschmann receptacle, 115 VAC/28 VDC, 2 amps, 4 pin DIN 43650	HPK02, HPK03, HPK04, HPK05

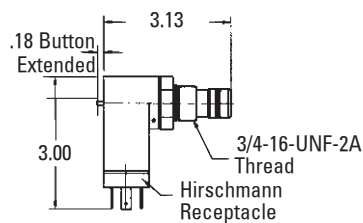
* Note: Above choices include indicator and mounting block.

AC/DC/Electrical Indicators (with aluminum electrical housing)

Electric ΔP indicator



Electric ΔP indicator with pop-up visual button and manual reset



Replacement Indicators (Visual and Differential)

Part No.	Description
P567458	Visual/Electrical indicator with thermal lockout and surge, 35 psid/2.4 bar
P567459	Visual/Electrical indicator, with thermal lockout and surge 70 psid/4.8 bar
P567456	Pop-Up Visual Indicator, with thermal lockout and surge 35 psid/2.4 bar
P567457	Pop-Up Visual Indicator, with thermal lockout and surge 70 psid/4.8 bar
P569636	Pop-Up Visual Indicator, 35 psid/2.4 bar
P569637	Pop-Up Visual Indicator, 70 psid/4.8 bar
P569638	Visual/Electrical Indicator, 35 psid/2.4 bar
P569639	Visual/Electrical Indicator, 70 psid/4.8 bar
P164315	Visual Indicator, bar style, 35 psid/2.4 bar
P166603	Visual Indicator, bar style, 70 psid/4.8 bar
P166134	Blanking plate

Electrical Filter Service Indicators

All electric models have a maximum operating temperature of 250°F/ 114°C.

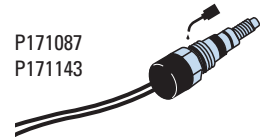
Part No.	Use with Bypass Valve Pressure of:	Description	Where Used	Illustration
P162400	25 psi/ 172 kPa	DC/single post. Normally open.	HBK04, HBK05, HMK04/24, HMK05/25, SP 80/90	Style A
P163601	15 psi/ 103 kPa	DC/single post. Normally open.	HBK04, HBK05, HMK04/24, HMK05/25, SP 80/90	Style A
P163642	5 psi/ 34 kPa	DC/single post. Normally open.	HBK04, HBK05, HMK04/24, HMK05/25, SP 80/90	Style A
P163839	25 psi/ 172 kPa	DC/single post. Normally closed.	HBK04, HBK05, HMK04/24, HMK05/25, SP 80/90	Style A
P165194	50 psi/ 345 kPa	DC/single post. Normally open.	HMK03, HMK04/24, HMK05/25, FPK04, SP 80/90	Style A
P167455	50 psi/ 345 kPa	DC/single post. Normally closed.	HMK04/24, HMK05/25, FPK04, SP 80/90	Style A
P170926	50 psi/ 276 kPa	DC 2-wire. Normally closed. Gold contacts. Microprocessor compatible.	HMK04/24, HMK05/25, SP 80/90	Style E
P171087	50 psi/ 345 kPa	DC 2-wire. Packard Weatherpack connector. Normally open.	HMK03, HMK04/24, HMK05/25, SP 80/90	Style B
P171143	25 psi/ 172 kPa	DC 2-wire. Cannon connector. Normally open.	HBK04, HBK05, HMK03, HMK04/24, HMK05/25, SP 80/90	Style B
P171966	22 psi/ 150 kPa	AC/DC. 0.5A resistive, 0.2A inductive. Normally open.	FIK	at right
P173893	50 psi/ 345 kPa	DC 3-wire. Gold alloy contacts. Microprocessor compatible. White: normally open; red: normally closed; black: common.	HMK04/24, HMK05/25, SP 80/90	Style F
P173944	25 psi/ 172 kPa	AC/DC 3-wire. Silver alloy contacts. White: normally open; red: normally closed; black: common.	HBK04, HBK05, HMK03, HMK04/24, HMK05/25, SP 80/90	Style C
P174396	50 psi/ 345 kPa	AC/DC 3-wire. Silver alloy contacts. White: normally open; red: normally closed; black: common.	HMK03, HMK04/24, HMK05/25, SP 80/90	Style C
P761056	87 psi/ 592 kPa	AC/DC Normally open or closed. 30 VAC or 30 VDC max. 0.5A resistive, 0.2A inductive.	FPK02	see FPK02 section

Style A



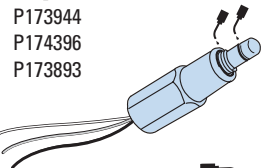
P162400
P163601
P163642
P163839
P165194
P167455

Style B



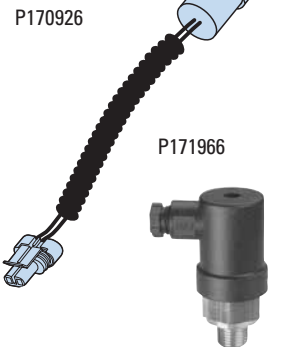
P171087
P171143

Styles C & F



P173944
P174396
P173893

Style E

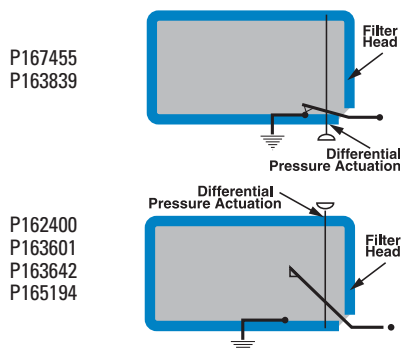


P170926

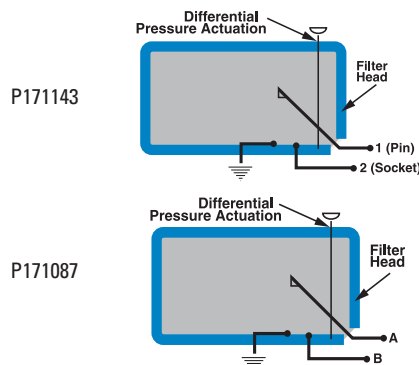
P171966

Electrical Schematics

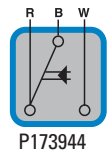
Style A: Single Post DC Indicator (Maximum: 200 mA DC @ 30 VDC)



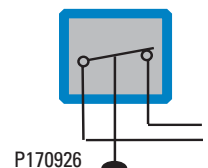
Style B: DC 2-Wire Indicator (Maximum: 200 mA DC @ 30 VDC)



Style C, F: AC/DC 3-Wire Indicator (Maximums: 2 amps @ 24 VDC or 2 amps @ 110 VAC)



Style E: DC 2-Wire Indicator (Maximum: 100 mA DC @ 30 VDC)

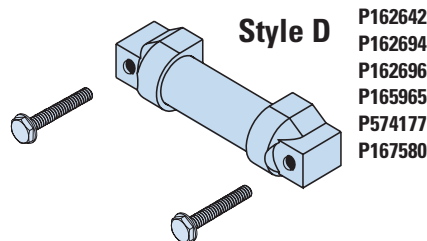


Visual Service Indicators

Visual Electrical Indicators

All non-electric models have a maximum operating temperature of 180°F/ 82°C.

Part No.	Use with Bypass Valve Pressure of:	Where Used	Illustration
P162642	15 psi/103 kPa	HBK04, HBK05, HMK04/24 HMK05/25	Style D
P162694	5 psi/34 kPa	HBK04, HBK05	Style D (old style)
P162696	25 psi/172 kPa	HBK04, HBK05, HMK04/24, HMK05/25	Style D
P164315	50 psi/345 kPa	HPK02, HPK03, HPK04, HPK05	see HPK02 section
P165965	25 psi/345 kPa	HMK03, HMK04/24, HMK05/25	Style D
P574177	50 psi / 345 kPa	HMK03, HMK04/24	Style D
P166603	50 psi/345 kPa (reverse flow)	HPK04	see HPK04 section
P167580	50 psi/345 kPa	HMK04/24, HMK05/25	Style D
P171958	17 psi/116 kPa	FIK	at left
P171945	72 psi/493 kPa	FPK02	see FPK02 section

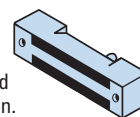


Style D

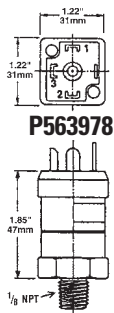
- P162642
- P162694
- P162696
- P165965
- P574177
- P167580

NOTE on Style D Indicators:

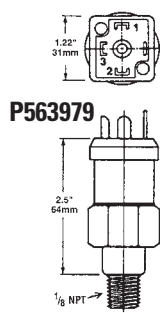
Our old square-style visual indicator has been improved in a design revision. If you have this style and order a replacement, you will receive the new rounded Style D shown above. **Exception:** P162694 is still made per the old style.



#1 Common; #2 Normally Closed;
#3 Normally Open



P563978



P563979



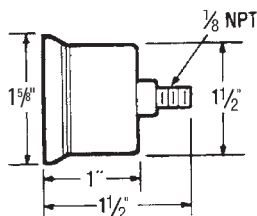
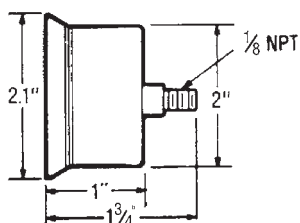
Instructions

1. Remove DIN adaptor
2. Remove small brass screw
3. Using 1/8" allen wrench adjust clockwise to increase set point/ counter-clockwise to decrease set point
4. NO / NC

Adjustment screw located in center of elec. prongs

Visual Pressure Gauges

Part No.	Pressure Range	Function
P563296	0 to 100 PSI Numeric Scale	Return
P563297	0 to 100 PSI Color Coded (15 PSI)	Return
P563298	0 to 100 PSI Color Coded (25 PSI)	Return
P563299	0 to -20 Hg	Suction
P563300	0 to 30 PSI Color Coded (15 PSI)	Return



P171956

- for FIK series
- 1 to +5 bar
- 14.5 to 72.5 psi
- 100 to +500 kPa

P171953

G 1/8

In-Line Accessories

- Pressure gauges for monitoring system pressure
- Hoses and test points for sampling oil and determining ISO cleanliness levels
- Flanges to connect components
- Valves for system control



In-Line Pressure Gauges

Specifications

- Stainless steel (304SS)
- Phosphor bronze bourdon tube
- Acrylic lenses
- Built-in snubber
- Glycerin Filled



Features

Donaldson Pressure Gauge Liquid-filled (PGL) series gauges are mechanical bourdon tube pressure gauges. Each gauge has a glycerin filled stainless steel bezel and case that is robust and will not discolor or rust. The bourdon tube and movement is constructed from brass and bronze alloys. PGL series gauges are easy to install for continuous readings with face diameters of 2½" (63 mm) and 4" (100 mm).

Operating Temperature

- 30°F to 160°F (-1°C to 71°C)

Accuracy

- +/- 3% of full scale

Scale

- *psi*
- *bar*

Dial Sizes

- 2½" (63 mm) and 4" (100 mm)

Mounting

- Stem, Panel, Front Flange

Thread Type

- 2½" size ¼" NPT, ¼" SAE, ¼" BSP
- 4" ½" NPT

In-Line Pressure Gauges

Pressure Range Options

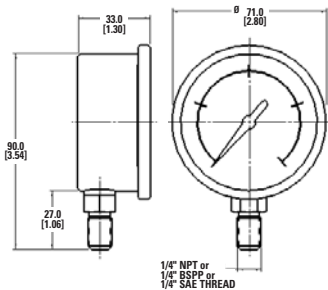
PGL-A	30 Hg-20 psi	0-30 in. Hg	0-30 psf	0-60 psf	0-100 psf	0-160 psf	0-300 psf	0-500 psf	0-600 psf	0-1000 psf	0-1500 psf	0-2000 psf	0-3000 psf	0-4000 psf	0-5000/345-psi	0-6000 psf	0-10000 psf
2½" Stem	•	•	•	•	•	•	•	•	•	•	•	•	•	•	•	•	•
2½" SAE Stem									•	•	•	•	•	•	•	•	
2½" Panel	•	•	•	•	•	•	•	•	•	•	•	•	•	•	•	•	•
4" Stem								•	•	•	•	•	•	•	•	•	•
4" Panel								•	•	•	•	•	•	•	•	•	•

Front Flange Options

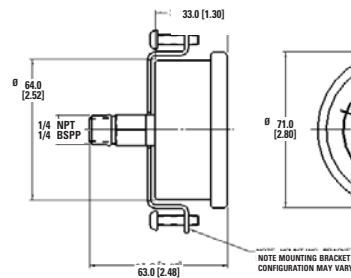
Donaldson Part No.	Description	Dial Size
P562699	PGL-A-63-FF	2-1/2" (63 mm)
P562671	PGL-A-100-FF	4" (100 mm)

2½" Diameter Gauges

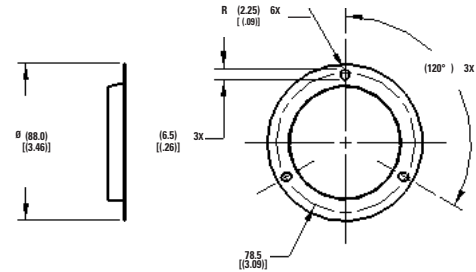
Stem Mount



Panel Mount



With Front Flange



2½" Stem Mount

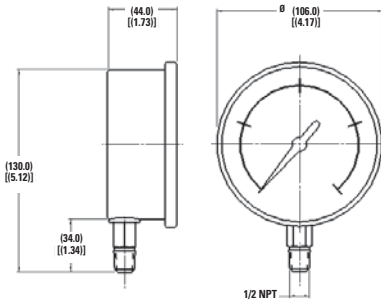
Donaldson Part No.	Description	Pressure Range (psi/bar)	Thread Type
P562718	PGL-A-63-N-B-30-CS	-30" Hg + 20/1	1/4" NPT
P562719	PGL-A-63-N-B-30-S	0 - 30/2	1/4" NPT
P562721	PGL-A-63-N-B-30-VS	0 - 30" Hg Vac	1/4" NPT
P562733	PGL-A-63-N-B-60-S	0 - 60/4	1/4" NPT
P562705	PGL-A-63-N-B-100-S	0 - 100/7	1/4" NPT
P562709	PGL-A-63-N-B-160-S	0 - 160/11	1/4" NPT
P562717	PGL-A-63-N-B-300-S	0 - 300/20	1/4" NPT
P562727	PGL-A-63-N-B-500-S	0 - 500/35	1/4" NPT
P562731	PGL-A-63-N-B-600-S	0 - 600/40	1/4" NPT
P562703	PGL-A-63-N-B-1000-S	0 - 1,000/70	1/4" NPT
P562707	PGL-A-63-N-B-1500-S	0 - 1,500/100	1/4" NPT
P562711	PGL-A-63-N-B-2000-S	0 - 2,000/125	1/4" NPT
P562713	PGL-A-63-N-B-3000-S	0 - 3,000/200	1/4" NPT
P562723	PGL-A-63-N-B-4000-S	0 - 4,000/275	1/4" NPT
P562725	PGL-A-63-N-B-5000/345-S	0 - 5,000/350	1/4" NPT
P562729	PGL-A-63-N-B-6000-S	0 - 6,000/400	1/4" NPT
P562701	PGL-A-63-N-B-10,000-S	0 - 10,000/700	1/4" NPT
P562696	PGL-A-63-B-B-1500-S	0 - 1,500/100	1/4" BSP
P562739	PGL-A-63-S-B-500-S	0 - 500/35	1/4" SAE
P562734	PGL-A-63-S-B-1000-S	0 - 1,000/70	1/4" SAE
P562735	PGL-A-63-S-B-1500-S	0 - 1,500/100	1/4" SAE
P562736	PGL-A-63-S-B-2000-S	0 - 2,000/125	1/4" SAE
P562737	PGL-A-63-S-B-3000-S	0 - 3,000/200	1/4" SAE
P562738	PGL-A-63-S-B-5000/345-S	0 - 5,000/350	1/4" SAE
P562740	PGL-A-63-S-B-6000-S	0 - 6,000/400	1/4" SAE

2½" Panel Mount

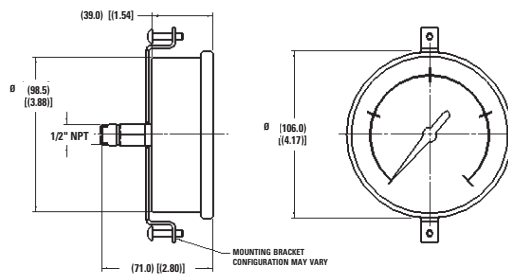
Donaldson Part No.	Description	Pressure Range (psi/bar)	Thread Type
P562720	PGL-A-63-N-B-30-VP	0 - 30" Hg Vac	1/4" NPT
P562732	PGL-A-63-N-B-60-P	0 - 60/4	1/4" NPT
	PGL-A-63-N-B-100-P	0 - 100/7	1/4" NPT
P562708	PGL-A-63-N-B-160-P	0 - 160/11	1/4" NPT
P562716	PGL-A-63-N-B-300-P	0 - 300/20	1/4" NPT
P562726	PGL-A-63-N-B-500-P	0 - 500/35	1/4" NPT
P562730	PGL-A-63-N-B-600-P	0 - 600/40	1/4" NPT
P562702	PGL-A-63-N-B-1000-P	0 - 1,000/70	1/4" NPT
P562706	PGL-A-63-N-B-1500-P	0 - 1,500/100	1/4" NPT
P562710	PGL-A-63-N-B-2000-P	0 - 2,000/125	1/4" NPT
P562712	PGL-A-63-N-B-3000-P	0 - 3,000/200	1/4" NPT
P562722	PGL-A-63-N-B-4000-P	0 - 4,000/275	1/4" NPT
P562724	PGL-A-63-N-B-5000/345-P	0 - 5,000/350	1/4" NPT
P562728	PGL-A-63-N-B-6000-P	0 - 6,000/400	1/4" NPT
P562700	PGL-A-63-N-B-10,000-P	0 - 10,000/700	1/4" NPT
P562697	PGL-A-63-B-B-3000-P	0 - 3,000/200	1/4" BSP
P562698	PGL-A-63-B-B-4000-P	0 - 4,000/275	1/4" BSP

4" Diameter Gauges

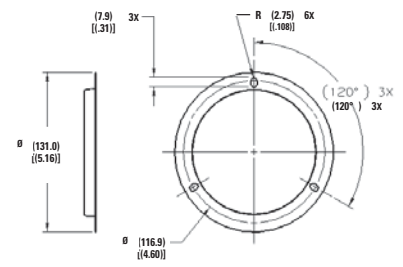
Stem Mount



Panel Mount



With Front Flange



4" Stem Mount

Donaldson Part No.	Description	Pressure Range (psi/bar)	Thread Type
P562683	PGL-A-100-N-B-300-S	0 - 300/20	1/2" NPT
P562688	PGL-A-100-N-B-600-S	0 - 600/40	1/2" NPT
P562675	PGL-A-100-N-B-1000-S	0 - 1,000/70	1/2" NPT
P562677	PGL-A-100-N-B-1500-S	0 - 1,500/100	1/2" NPT
P562679	PGL-A-100-N-B-2000-S	0 - 2,000/125	1/2" NPT
P562681	PGL-A-100-N-B-3000-S	0 - 3,000/200	1/2" NPT
P562685	PGL-A-100-N-B-5000	0 - 5,000/350	1/2" NPT
P562686	PGL-A-100-N-B-6000-S	0 - 6,000/400	1/2" NPT
P562673	PGL-A-100-N-B-10,000-S	0 - 10,000/700	1/2" NPT

4" Panel Mount

Donaldson Part No.	Description	Pressure Range (psi/bar)	Thread Type
P562682	PGL-A-100-N-B-300-P	0 - 300/20	1/2" NPT
P562687	PGL-A-100-N-B-600-P	0 - 600/40	1/2" NPT
P562674	PGL-A-100-N-B-1000-P	0 - 1,000/70	1/2" NPT
P562676	PGL-A-100-N-B-1500-P	0 - 1,500/100	1/2" NPT
P562678	PGL-A-100-N-B-2000-P	0 - 2,000/125	1/2" NPT
P562680	PGL-A-100-N-B-3000-P	0 - 3,000/200	1/2" NPT
P562684	PGL-A-100-N-B-5000	0 - 5,000/350	1/2" NPT
P562672	PGL-A-100-N-B-10,000-P	0 - 10,000/700	1/2" NPT

Test Points

Specifications

- Working Pressure: 9000 *psi* /630 *bar*
- Seals: Buna-N®
- Caps: Plastic or metal
- Leak-free connection at full pressure

Buna-N® is a registered trademark of E. I. DuPont de Nemours and Company.



Features

Test points can be used as a connection into the hydraulic system on the suction side, pressure side or return. They allow connection for pressure and temperature transducers and provide ports for fluid sampling (so you can monitor cleanliness and keep your system operating optimally). If you have filters installed in hard-to-access locations, test points and hose assemblies can be used to plumb up a bulkhead to read pressure differentials.

Styles

- Pressure and/or Temperature

Applications

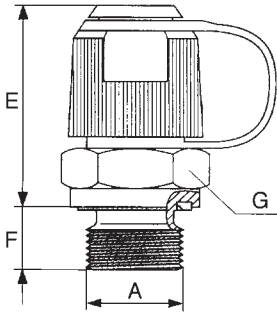
- Fluid or gas

Temperature Range

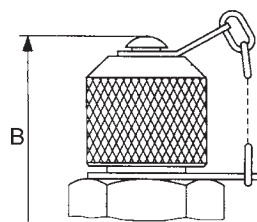
- Metal cap:
-22°F to 248°F / -30°C to 120°C
- Plastic cap:
-22°F to 212°F / -30°C to 100°C

TPM/TPP-1215 Assembly Views M12x1.5 Thread

Plastic Cap



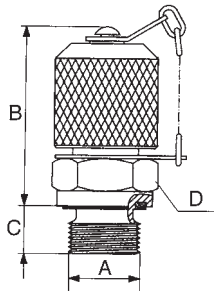
Metal Cap



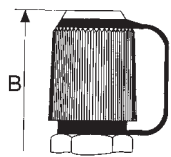
Donaldson Part No.	Description	Working Pressure psi/bar	A Thread Type	E (in./mm)	F (in./mm)	G (in./mm)	Cap
P563192	TPM-1215-04G	9000/630	1/4" BSPP, Form G	1.30/33	.33/8.5	0.55/14	Metal
P563197	TPP-1215-02N	5800/400	1/8" NPTF	1.14/29	.47/12	0.55/14	Plastic
P563193	TPM-1215-04N	9000/630	1/4" NPTF	1.14/29	.59/15	0.55/14	Metal
P563199	TPP-1215-03S	9000/630	3/8"-24 UNF (#3 SAE)	1.42/36	.39/10	0.87/22	Plastic
P563206	TPP-1215-04S	9000/630	7/16"-20 UNF (#4 SAE)	1.26/32	.35/9	0.67/17	Plastic
P563207	TPP-1215-06S	9000/630	9/16"-18 UNF (#6 SAE)	1.22/31	.39/10	0.75/19	Plastic

TPM/TPP-1620 Assembly Views M16x2 Thread

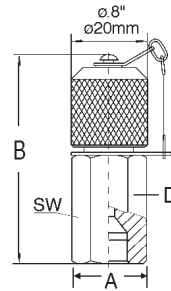
TPM Metal Cap



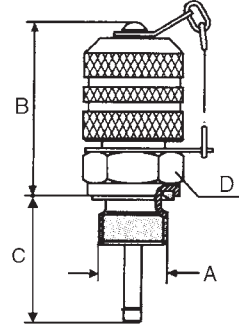
TPP Plastic Cap



JIC Style

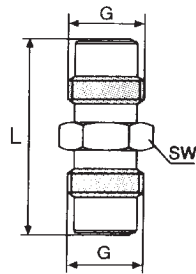


Pressure/Temperature

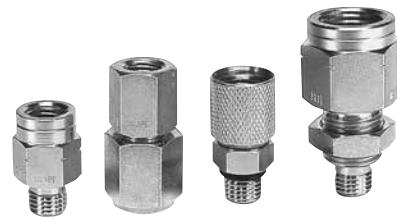


Donaldson Part No.	Description	Working Pressure psi/bar	A Thread Type	B (in./mm)	C (in./mm)	D (mm)	Cap
P563210	TPM-1620-02B	5800/400	ISO 228-G 1/8" BSPP	1.5/38	0.31/8	17	Metal
P563215	TPM-1620-04B	9000/630	ISO 228-G 1/4" BSPP	1.42/36	0.39/10	19	Metal
P563987	TPM-1620-06B	9000/630	ISO 228-G 3/8" BSPP	1.42/36	0.39/10	22	Metal
P563219	TPM-1620-04J	8100/600	#4 37° JIC Female	2.17/55	-	17	Metal
P563231	TPM-1620-06J	4500/315	#6 37° JIC Female	2.26/57.5	-	19	Metal
P563212	TPM-1620-02N	5800/400	1/8" NPTF	1.3/33	0.51/13	17	Metal
P563220	TPM-1620-04N	9000/630	1/4" NPTF	1.3/33	0.65/16.5	17	Metal
P563224	TPM-1620-04S	9000/630	7/16"-20 UNF (#4 SAE)	1.46/37	0.35/9	17	Metal
P563232	TPM-1620-06S	9000/630	9/16"-18 UNF (#6 SAE)	1.42/36	0.39/10	19	Metal

Test Point Adapters



A variety of adapters to suit your application.

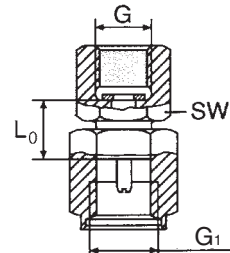


Hose Union Gauge

Donaldson Part No.	Description	G Thread	psi/bar	L (in./mm)	SW (in./mm)
P563263	AHU-1215	M12 x 1.5	9000/630	1.14/29	.55/14
P563264	AHU-1620	M16 x 2	9000/630	1.65/42	.67/17

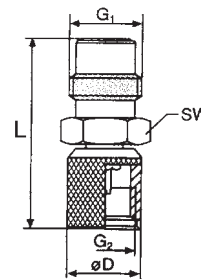
Direct Gauge Adapter

Donaldson Part No.	Description	G Int. Thread	G ₁ Thread	psi/bar	L ₀ (in./mm)	SW (in./mm)
P563808	ADG-1215-04N	1/4" NPT	M12 x 1.5	9000/630	1.14/29	.55/14
P563809	ADG-1620-04N	1/4" NPT	M16 x 2	9000/630	.55/14	.75/19



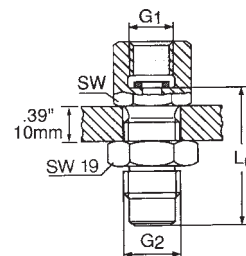
Series Converter

Donaldson Part No.	Description	G ₁ Thread	G ₂ Thread	ØD (in./mm)	L (in./mm)	SW (in./mm)
P563265	ASC-1215	M16 x 2	M12 x 1.5	.67/17	1.30/33	.67/17
P563266	ASC-1620	M12 x 1.5	M16 x 2	.79/20	1.04/26.5	.67/17



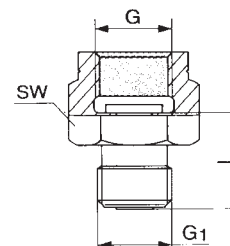
Bulkhead Gauge Adaptor

Donaldson Part No.	Description	G ₁ Thread	G ₂ Thread	L (in./mm)	SW (in./mm)
P563800	ABH-1215-04N	1/4" NPT	1215M 12 x 1.5	1.52/39.5	.75/27
P563807	ASC-1620-04N	1/4" NPT	1620/M16 x 2	1.52/38.5	.75/19



Pressure Gauge Connection

Donaldson Part No.	Description	G Thread	G ₁ Thread	psi/bar	L (in./mm)	SW (in./mm)
P563262	AHG-1215-04N	1/4" NPT	M12 x 1.5	9000/630	.71/18	.74/19



Test Point Hose Assemblies

Specifications

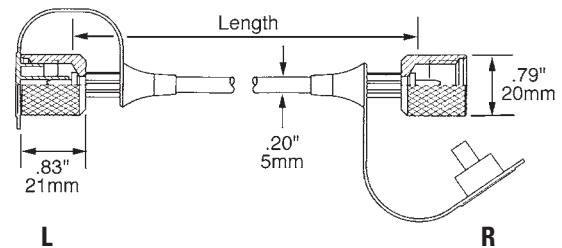
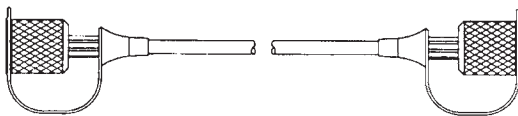
- Working Pressure to: 9000 *psi* / 630 bar
- Temperature Range: -4°F to 212°F / -20°C to 100°C
- Length: 12" to 180" / 305 to 4570



Features

Donaldson test point hoses are made of Polyamide II core with polyester braid reinforcement and Polyamid11 cover. They are suitable for use with petroleum-based fluids. Hoses are standard straight on both ends and include plastic dust caps.

For hydraulic filters installed in hard-to-access locations, hose assemblies and test points can be used to plumb up a bulkhead to read pressure differentials.



1215 Series M12x1.5 Thread

Donaldson Part No.	Description	Length (in/mm)
P563240	H-1215-B-0101-012	12/305
P563243	H-1215-B-0101-024	24/610
P563244	H-1215-B-0101-036	36/915
P563245	H-1215-B-0101-048	48/1220
P563246	H-1215-B-0101-072	72/1830
P563247	H-1215-B-0101-096	96/2440
P563248	H-1215-B-0101-120	120/3050
P563249	H-1215-B-0101-180	80/4570

1620 Series M16x2 Thread

Donaldson Part No.	Description	Length (in/mm)
P563250	H-1620-B-0101-012	12/305
P563251	H-1620-B-0101-018	18/460
P563252	H-1620-B-0101-024	24/610
P563254	H-1620-B-0101-036	36/915
P563255	H-1620-B-0101-048	48/1220
P563256	H-1620-B-0101-072	72/1830
P563257	H-1620-B-0101-096	96/2440
P563259	H-1620-B-0101-120	120/3050
P563260	H-1620-B-0101-144	144/3660
P563261	H-1620-B-0101-180	180/4570

In-Line Check Valves

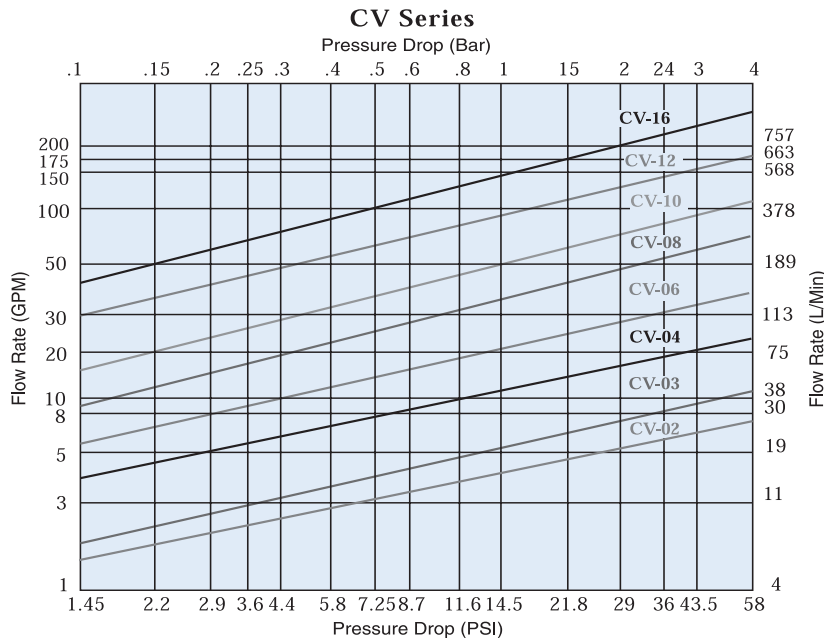
Specifications

- Working Pressure to: 9000 *psi* / 630 bar
- Flow Range: 200 *gpm* 757 *lpm*



Features

Steel constructed check valves are compatible with all non-corrosive liquids. Valves contain no elastomeric seals. Restricted orifice (.062) option available on some models.



**The above chart is based on
Hydraulic Oil 100 SUS, S.G. = 0.86**

Sizes

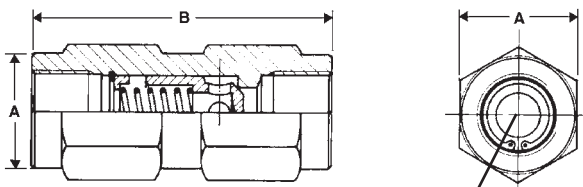
- 1/4", 3/8", 1/2", 3/4", 1", 1 1/4", 1 1/2" and 2" NPT
- #4, #6, #8, #12, #16, #20, #24 and #32 SAE

Opening Pressure (Cracking)

- 5 *psi* / 0.34 bar or 65 *psi* / 4.5 bar

In-Line Check Valve Options

Donaldson Part No.	Reference	Max Working Pressure (psi/bar)	Max. Rated Flow (gpm/lpm)	Opening Pressure (psi/bar)	Port	A (in./mm)	B (in./mm)
P562297	CV-02P-5	4350/300	6/23	5/0.34	1/4" NPT	0.75/19	2.17/55
P562298	CV-02P-65	4350/300	6/23	65/4.5	1/4" NPT	0.75/19	2.17/55
P562299	CV-02S-5	4350/300	6/23	5/0.34	#4 SAE	0.75/19	2.17/55
P562301	CV-03P-5	4350/300	10/38	5/0.34	3/8" NPT	0.98/25	2.68/68
P562302	CV-03P-65	4350/300	10/38	65/4.5	3/8" NPT	0.98/25	2.68/68
P562303	CV-03S-5	4350/300	10/38	5/0.34	#6 SAE	0.75/19	2.29/58
P562305	CV-04P-5	4350/300	16/60	5/0.34	1/2" NPT	1.06/27	2.95/75
P562306	CV-04P-65	4350/300	16/60	65/4.5	1/2" NPT	1.06/27	2.95/75
P562307	CV-04S-5	4350/300	16/60	5/0.34	#8 SAE	0.98/25	2.72/69
P562308	CV-04S-65	4350/300	16/60	65/4.5	#8 SAE	0.98/25	2.72/69
P562309	CV-06P-5	4350/300	25/94	5/0.34	3/4" NPT	1.38/35	3.48/88
P562311	CV-06P-65	4350/300	25/94	65/4.5	3/4" NPT	1.38/35	3.48/88
P562312	CV-06S-5	4350/300	25/94	5/0.34	#12 SAE	1.38/35	3.48/88
P562313	CV-06S-65	4350/300	25/94	65/4.5	#12 SAE	1.38/35	3.48/88
P562314	CV-08P-5	4350/300	45/169	5/0.34	1" NPT	1.61/41	4.33/110
P562316	CV-08P-65	4350/300	45/169	65/4.5	1" NPT	1.61/41	4.33/110
P562317	CV-08S-5	4350/300	45/169	5/0.34	#16 SAE	1.61/41	4.33/110
P563307	CV-08S-65	4350/300	45/169	65/4.5	#16 SAE	1.61/41	4.33/110
P562319	CV-10P-5	4350/300	95/357	5/0.34	1-1/4" NPT	2.16/55	4.72/120
P562320	CV-10P-65	4350/300	95/357	65/4.5	1-1/4" NPT	2.16/55	4.72/120
P562321	CV-10S-5	4350/300	95/357	5/0.34	#20 SAE	2.16/55	4.72/120
P562322	CV-10S-65	4350/300	95/357	65/4.5	#20 SAE	2.16/55	4.72/120
P562323	CV-12P-5	4350/300	130/489	5/0.34	1-1/2" NPT	2.56/65	5.43/138
P562324	CV-12P-65	4350/300	130/489	65/4.5	1-1/2" NPT	2.56/65	5.43/138
P562325	CV-12S-5	4350/300	130/489	5/0.34	#24 SAE	2.56/65	5.43/138
P562326	CV-12S-65	4350/300	130/489	65/4.5	#24 SAE	2.56/65	5.43/138
P562327	CV-16P-5	2900/200	200/752	5/0.34	2" NPT	2.56/65	5.43/138
P562328	CV-16P-65	2900/200	200/752	65/4.5	2" NPT	2.56/65	5.43/138



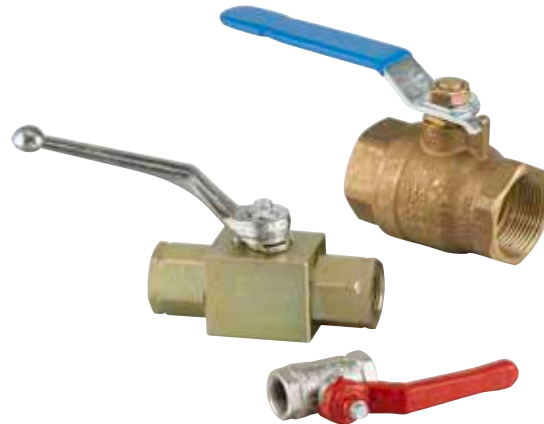
Optional Orifice

Ball Valves - Low Pressure

Specifications

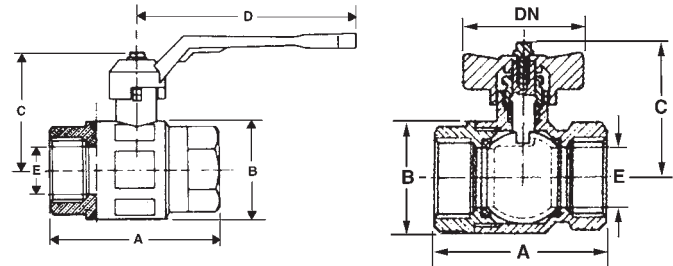
- Hot pressed brass body and ball OT 58
- Materials (ball and body): BV Series chromium plated
- Steel handle
- Teflon[®] seals (ball and stem)

Teflon[®] is a registered trademark of E. I. DuPont de Nemours and Company.



Features

Low pressure ball valves are rated for water, oil or gas (WOG) applications. Two-way/two-position, quarter turn operation. Full-ported sizes from 1/4" to 2" NPT. T-handle available on some models. Suitable for temperatures from -22°F to 350°F (-30°C to 162°C).



Donaldson Part No.	Description	Max. Working Pressure (psi/bar)	Port Thread	A (in./mm)	B (in./mm)	C (in./mm)	D (in./mm)	E (in./mm)
P562331	BV-04-N	710/49	1/4" NPT	1.89/48	0.98/25	1.69/43	3.15/80	0.40/10
P562333	BV-06-N	710/49	3/8" NPT	1.89/48	0.98/25	1.69/43	3.15/80	0.40/10
P562336	BV-08-N	710/49	1/2" NPT	2.00/51	1.22/31	1.77/45	3.15/80	0.60/15
P563311	BV-12-N	570/39	3/4" NPT	2.24/57	1.46/37	2.36/60	4.44/113	0.80/20
P562338	BV-16-N	570/39	1" NPT	2.75/70	1.81/46	2.48/63	4.44/113	1.00/25
P562339	BV-20-N	430/30	1-1/4" NPT	3.15/80	2.24/57	3.11/79	5.43/138	1.25/32
P562341	BV-24-N	430/30	1-1/2" NPT	3.66/93	2.75/70	3.27/83	5.43/138	1.57/40
P562343	BV-32-N	360/25	2" NPT	4.41/112	3.31/84	3.94/100	6.22/158	1.97/50
P562345	BV-40-N	260/18	2-1/2" NPT	5.31/135	3.82/97	3.98/101	7.75/197	2.12/54
P562346	BV-48-N	230/16	3" NPT	6.25/159	4.80/122	5.08/129	9.84/250	2.56/65

Ball Valves - Medium/High Pressure

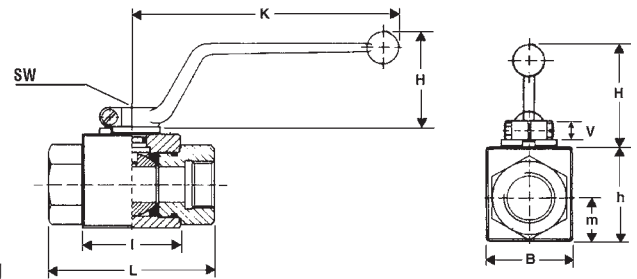
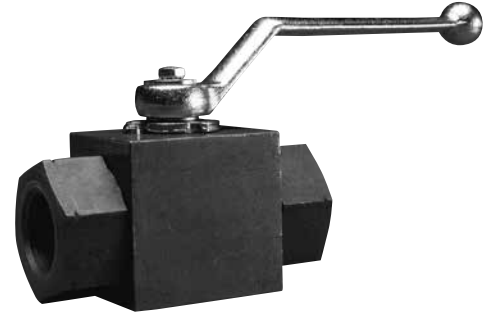
Specifications

- Steel body
- Brass ball with chrome plating (MBV-04 thru MBV-16)
- Steel ball with chrome plating (HBV, MBV-20 thru MBV-32)
- Steel zinc stem (MBV)
- Delrin ball seal
- Stem seal: Buna-N® (MBV); Viton (HBV)
- Aluminum handles on HBV larger sizes

Buna-N® is a registered trademark of E. I. DuPont de Nemours and Company.

Features

Medium duty (MBV) and high pressure (HBV) ball valves are compatible with petroleum-based fluids. Two-way, two-position valves are suited for on/off control. Optional locking tabs provide added safety. Valves come standard with bent handles; straight handles are available for some models. Operating temperatures from -22°F to 212°F / -30°C to 100°C.



Medium Duty Ball Valves - MBV

Donaldson Part No.	Description	Port Thread	Pressure (psi/bar)	L (in./mm)	I (in./mm)	B (in./mm)	H (in./mm)	h (in./mm)	m (in./mm)	V (in./mm)	SW (in./mm)	K (in./mm)
P562387	MBV-04-N	1/4" NPT	7250/500	2.7/69	1.4/36	1.0/26	1.7/43	1.3/32	0.5/12.5	0.4/11	0.4/9	4.6/118
P562388	MBV-04-S	7/16"-20 SAE	7250/500	2.7/69	1.4/36	1.0/26	1.7/43	1.3/32	0.5/12.5	0.4/11	0.4/9	4.6/118
P563308	MBV-06-N	3/8" NPT	7250/500	3.1/79	1.7/43	1.3/32	1.7/43	1.5/38	0.7/17.5	0.4/11	0.4/9	4.6/118
P562389	MBV-06-S	9/16"-18 SAE	7250/500	3.1/79	1.7/43	1.3/32	1.7/43	1.5/38	0.7/17.5	0.4/11	0.4/9	4.6/118
P562390	MBV-08-N	1/2" NPT	7250/500	4.1/104	1.9/48	1.4/35	1.7/43	1.6/40	0.75/19	0.4/11	0.4/9	4.6/118
P563309	MBV-08-S	3/4"-16 SAE	7250/500	4.1/104	1.9/48	1.4/35	1.7/43	1.6/40	0.75/19	0.4/11	0.4/9	4.6/118
P562391	MBV-12-N	3/4" NPT	5800/400	4.3/109	2.4/62	1.9/49	2.3/58	2.2/57	1.0/24.5	0.6/14	0.6/14	7.2/182
P562392	MBV-12-S	1-1/16"-12 SAE	5800/400	4.3/109	2.4/62	1.9/49	2.3/58	2.2/57	1.0/24.5	0.6/14	0.6/14	7.2/182
P562394	MBV-16-N	1" NPT	4500/310	4.6/117	2.6/66	2.3/58	2.3/58	2.6/65	1.2/29.5	0.6/14	0.6/14	7.2/182
P562395	MBV-16-S	1-5/16"-12 SAE	4500/310	4.6/117	2.6/66	2.3/58	2.3/58	2.6/65	1.2/29.5	0.6/14	0.6/14	7.2/182
P562396	MBV-20-N	1-1/4" NPT	4500/310	4.3/110	3.2/80	3.0/76	2.3/58	3.3/84	1.5/38	0.6/15	0.7/17	8.5/218
P562397	MBV-20-S	1-5/8"-12 SAE	4500/310	4.3/110	3.2/80	3.0/76	2.3/58	3.3/84	1.5/38	0.6/15	0.7/17	8.5/218
P562398	MBV-24-N	1-1/2" NPT	3625/250	5.1/130	3.3/85	3.6/92	2.3/58	3.9/99	1.8/46	0.6/15	0.7/17	8.5/218
P563310	MBV-24-S	1-7/8"-12 SAE	3625/250	5.1/130	3.3/85	3.6/92	2.3/58	3.9/99	1.8/46	0.6/15	0.7/17	8.5/218
P562399	MBV-32-N	2" NPT	3625/250	5.5/140	3.9/100	4.2/106	2.3/58	4.4/111	2.1/53	0.6/15	0.7/17	8.5/218

High Pressure Ball Valves

Donaldson Part No.	Description	Port Thread	Pressure (psi/bar)	L (in./mm)	I (in./mm)	B (in./mm)	H (in./mm)	h (in./mm)	m (in./mm)	V (in./mm)	SW (in./mm)	K (in./mm)
P562356	HBV-04-N	1/4" NPT	7250/500	2.7/69	1.4/36	1.0/26	1.7/43	1.3/32	0.5/12.5	0.4/11	0.4/9	4.6/118
P562357	HBV-04-S	7/16"-20 SAE	7250/500	2.7/69	1.4/36	1.0/26	1.7/43	1.3/32	0.5/12.5	0.4/11	0.4/9	4.6/118
P562358	HBV-06-N	3/8" NPT	7250/500	3.1/79	1.7/43	1.3/32	1.7/43	1.5/38	0.7/17.5	0.4/11	0.4/9	4.6/118
P562359	HBV-06-S	9/16"-18 SAE	7250/500	3.1/79	1.7/43	1.3/32	1.7/43	1.5/38	0.7/17.5	0.4/11	0.4/9	4.6/118
P562360	HBV-08-N	1/2" NPT	7250/500	4.1/104	1.9/48	1.4/35	1.7/43	1.6/40	0.75/19	0.4/11	0.4/9	4.6/118
P562361	HBV-08-S	3/4"-16 SAE	7250/500	4.1/104	1.9/48	1.4/35	1.7/43	1.6/40	0.75/19	0.4/11	0.4/9	4.6/118
P562362	HBV-12-N	3/4" NPT	5800/400	4.3/109	2.4/62	1.9/49	2.3/58	2.2/57	1.0/24.5	0.6/14	0.6/14	7.2/182
P562363	HBV-12-S	1-1/16"-12 SAE	5800/400	4.3/109	2.4/62	1.9/49	2.3/58	2.2/57	1.0/24.5	0.6/14	0.6/14	7.2/182
P562364	HBV-16-N	1" NPT	4500/310	4.6/117	2.6/66	2.3/58	2.3/58	2.6/65	1.2/29.5	0.6/14	0.6/14	7.2/182
P562365	HBV-16-S	1-5/16"-12 SAE	4500/310	4.6/117	2.6/66	2.3/58	2.3/58	2.6/65	1.2/29.5	0.6/14	0.6/14	7.2/182
P562368	HBV-20-N	1-1/4" NPT	4500/310	4.3/110	3.2/80	3.0/76	2.3/58	3.3/84	1.5/38	0.6/15	0.7/17	8.5/218
P562369	HBV-20-S	1-5/8"-12 SAE	4500/310	4.3/110	3.2/80	3.0/76	2.3/58	3.3/84	1.5/38	0.6/15	0.7/17	8.5/218

Replacement Parts for High Pressure Ball Valves

Handles

Donaldson Part No.	Description	Style	Valve Size
P562376	HBVH-040608	Bent Handle	04, 06, 08
P562377	HBVH-1216	Bent Handle	12, 16
P562378	HBVH-202432	Bent Handle	20, 24, 32

Lock Device Kits

Donaldson Part No.	Description	Valve Size
P562332	LD-1	04, 06, 08
P562335	LD-2	12, 16
P562340	LD-3	20, 24, 32

For use on MBV, HBV and 3W-HBV

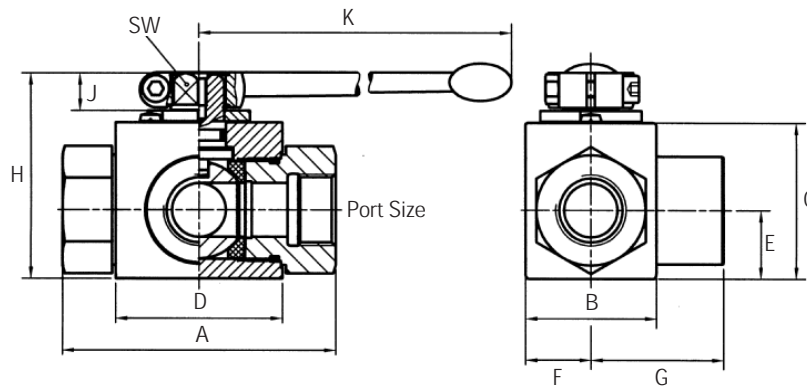
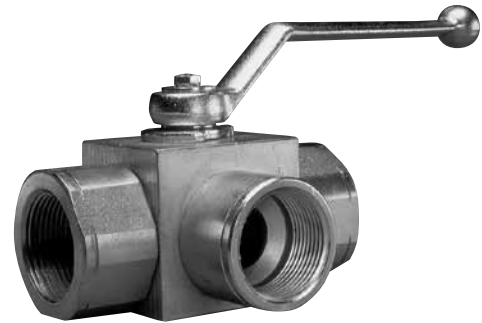
Seal Kit

Donaldson Part No.	Description	Valve Size
P562379	HBV-SK-04	04
P562380	HBV-SK-06	06
P562629	HBV-SK-08	08
P562630	HBV-SK-12	12
P562381	HBV-SK-16	16
P562382	HBV-SK-20	20
P562383	HBV-SK-24	24

Three-Way Selector Ball Valve

Specifications

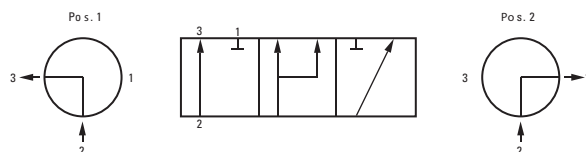
- Maximum pressure 7250 *psi* / 500 bar
- Steel construction
- Operating temperature -22°F to 212°F / -30°C to 100°C



Donaldson Reference Part No.	Port Size	Max Pressure	A (in./mm)	B (in./mm)	C (in./mm)	D (in./mm)	E (in./mm)	F (in./mm)	G (in./mm)	H (in./mm)	J (in./mm)	K (in./mm)	SW (in./mm)
P562342	3W-HBV-08-N 1/2" NPT	7250 <i>psi</i> 50000 kPa	4.09 104	1.50 38	1.57 40	1.89 48	0.75 19	0.69 17.5	1.63 41.5	2.13 54	0.43 11	4.53 115	0.3 9
P562344	3W-HBV-12-N 3/4" NPT	4500 <i>psi</i> 31028 kPa	4.02 102	2.05 52	2.24 57	2.44 62	0.96 24.5	0.96 24.5	1.87 47.5	2.95 75	0.55 14	7.87 200	0.55 14
P562404	3W-HBV-16-N 1" NPT	4500 <i>psi</i> 31028 kPa	4.69 119	2.40 61	2.56 65	2.60 66	1.16 29.5	1.14 29	2.22 56.5	3.27 83	0.55 14	7.87 200	0.55 14
P562405	3W-HBV-16-S SAE-16	4500 <i>psi</i> 31028 kPa	4.72 120	2.80 71	3.33 84.5	3.19 81	1.54 39	1.54 39	2.36 60	4.17 106	0.65 16.5	12.60 320	0.67 17
P562406	3W-HBV-20-N 1-1/4" NPT	5000 <i>psi</i> 34500 kPa	4.72 120	2.80 71	3.33 84.5	3.19 81	1.54 39	1.54 39	2.36 60	4.17 106	0.65 16.5	12.60 320	0.67 17
P562407	3W-HBV-24-N 1-1/2" NPT	5000 <i>psi</i> 34500 kPa	5.51 140	3.74 95	4.17 106	4.09 104	2.09 53	2.09 53	2.76 70	5.00 127	0.65 16.5	12.60 320	0.67 17

Operation:

Open cross-over (no zero position)
Pressure inlet only from port 2

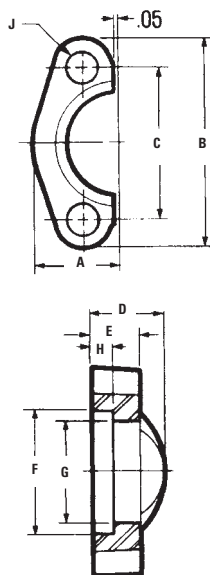


Split Flanges

Specifications

- Code 61 and Code 62
- Buna-N[®] O-Ring

Each kit includes:
 2 split flange halves
 4 hex head mounting bolts
 and lock washers
 1 Buna-N[®] O-Ring



Buna-N[®] is a registered trademark of E. I. DuPont de Nemours and Company.

Code 61

Donaldson Part No.	Reference	Flange Size	Dimensions (in./mm)									Mounting Hardware		
			A	B	C	D	E	F	G	H	J (Dia.)	O-Ring	Hex Head Cap Screw	Maximum Working Pressure
P563042	L-12SF-3	0.75	0.98	2.56	1.875	0.88	0.56	1.531	1.265	0.245	0.406	-214	3/8"-16x11/4	5000 34500kPa
		19	25	65	48	22	14	39	32	6	10			
P563044	L-16SF-3	1.00	1.11	2.75	2.062	0.94	0.62	1.781	1.515	0.295	0.406	-219	3/8"-16x11/4	5000 34500kPa
		25	28	70	52	24	16	45	38	7	10			
P563047	L-20SF-3	1.25	1.39	3.12	2.312	0.88	0.56	2.031	1.720	0.295	0.469	-222	7/16"-14x11/2	4000 psi 27580 kPa
		32	35	79	59	22	14	52	44	7	12			
P563050	L-24SF-3	1.50	1.58	3.69	2.750	1.00	0.62	2.406	2.000	0.295	0.531	-225	1/2"-13x11/2	3000 psi 20685 kPa
		38	40	94	70	25	16	61	51	8	13			
P563053	L-32SF-3	2.00	1.86	4.00	3.062	1.03	0.62	2.844	2.470	0.355	0.531	-228	1/2"-13x11/2	3000 psi 20685 kPa
		51	47	102	78	26	16	72	63	9	13			
P563056	L-40SF-3	2.50	2.09	4.50	3.500	1.50	0.75	3.344	2.950	0.355	0.531	-232	1/2"-13x13/4	2500 psi 17240 kPa
		64	53	114	89	38	19	85	75	9	13			

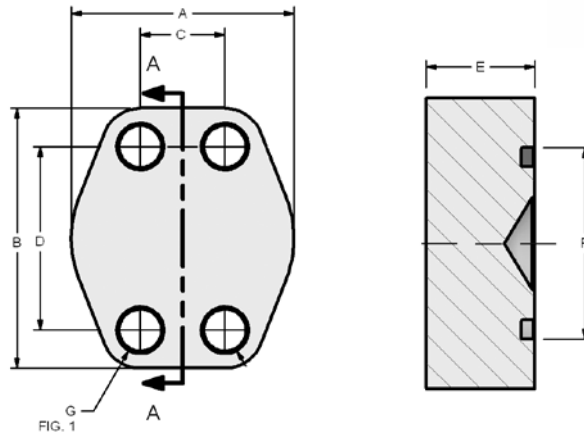
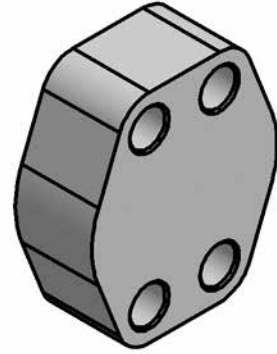
Code 62

Donaldson Part No.	Reference	Flange Size (in./mm)	Dimensions (in./mm)									Mounting Hardware		
			A (in./mm)	B (in./mm)	C (in./mm)	D (in./mm)	E (in./mm)	F (in./mm)	G (in./mm)	H (in./mm)	J (Dia.) (in./mm)	O-Ring	Hex Head Cap Screw	Maximum Working Pressure
P563046	L-16SFX-6	1.00	1.33	3.19	2.250	1.31	0.94	1.906	1.530	0.355	0.469	-219	7/16"-14x13/4	6000 psi 41370kPa
		25	34	81	57	33	24	48	39	9	12			
P563049	L-20SFX-6	1.25	1.48	3.75	2.625	1.50	1.06	2.156	1.750	0.385	0.531	-222	1/2"-13x13/4	6000 psi 41370kPa
		32	38	95	67	38	27	55	44	10	13			
P563051	L-24SFX-6	1.50	1.83	4.44	3.125	1.69	1.19	2.531	2.030	0.475	0.656	-225	5/8"-11x21/4	6000 psi 41370kPa
		38	46	113	79	43	30	64	52	12	17			
P563054	L-32SFX-6	2.00	2.20	5.25	3.812	2.06	1.44	3.156	2.660	0.475	0.781	-228	3/4"-10x23/4	6000 psi 41370kPa
		51	56	133	97	52	37	80	68	12	20			

Blanking Flanges

Specifications

- Code 61 and 62
- O-Ring



Blanking Flanges, Code 61

Donaldson Part No.	Reference	Pad Size	Dimensions (in./mm)							Mounting Hardware	
			A	B	C	D	E	F	G	O-Ring	SHCS
P563061	LIB-16-16-30	1"/25mm	2.313/59	2.750/70	1.031/26	2.063/52	0.88/22	1.560/40	0.406/10	-219	3/8"-16x1.75
P563063	LIB-20-20-30	1-1/4"/32mm	2.875/73	3.125/79	1.188/30	2.313/59	0.94/24	1.750/44	0.469/12	-222	7/16"-14x1.75
P563065	LIB-24-24-30	1-1/2"/38mm	3.250/83	3.688/94	1.406/36	2.750/70	1.19/30	2.115/54	0.531/13	-225	1/2"-13x2.25
P563067	LIB-32-32-30	2"/51mm	3.813/97	4.000/102	1.688/43	3.063/78	1.44/37	2.490/63	0.531/13	-228	1/2"-13x2.50

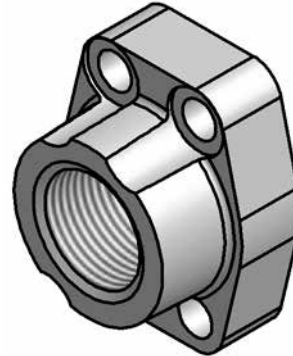
Blanking Flanges, Code 62

Donaldson Part No.	Reference	Pad Size	Dimensions (in./mm)							Mounting Hardware	
			A	B	C	D	E	F	G	O-Ring	SHCS
P563064	LIB-20-20-60	1-1/4"/32mm	3.060/78	3.750/95	1.250/32	2.625/67	1.43/36	1.750/44	0.531/13	-222	1/2"-13x2.50

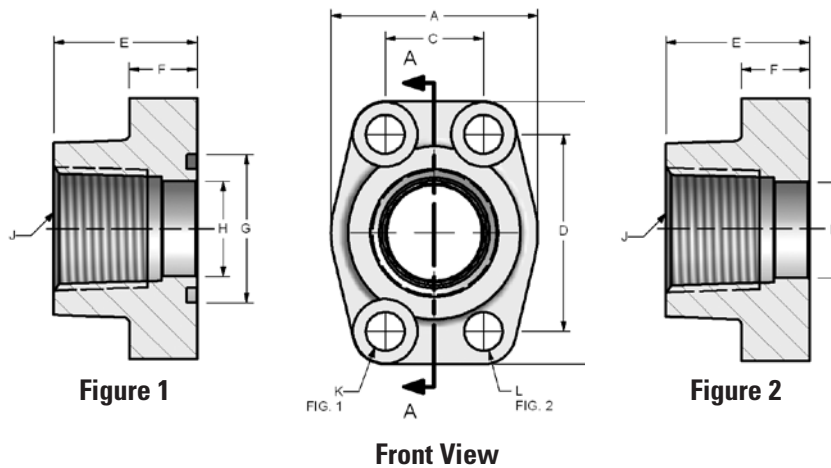
4-Bolt NPTF Threaded Flange

Specifications

- Code 61 and 62
- NPT Thread
- Buna-N® O-Ring
- Mounting hardware and O-Ring included on O-Ring models
- Maximum temperature with O-Ring 250°F / 121°C



Buna-N® is a registered trademark of E. I. DuPont de Nemours and Company.



Code 61 NPTF Thread, O-Ring (Figure 1)

Donaldson Part No.	Desc.	Port Size	Pad Size	A	B	C	Dimensions (in./mm)			G	H	J NPTF	K (dia.) Drill	Mounting Hardware O-Ring	SHCS
P563088	LI-12-12P-30	0.75	0.75	1.97	2.56	0.875	1.875	1.42	0.71	1.250	0.752	3/4"-14	0.406	-214	3/8"-16 x 1.25
		19	19	50	65	22	48	36	18	32	19	10			
P563093	LI-16-16P-30	1.00	1.00	2.17	2.75	1.031	2.062	1.50	0.71	1.560	1.002	1"-11.5	0.406	-219	3/8"-16 x 1.50
		25	25	55	70	26	52	38	18	40	25	10			
P563100	LI-20-20P-30	1.25	1.25	2.68	3.12	1.188	2.312	1.61	0.83	1.750	1.252	1-1/4"-11.5	0.469	-222	7/16"-14 x 1.50
		32	32	68	79	30	59	41	21	44	32	12			
P563107	LI-24-24P-30	1.50	1.50	3.07	3.66	1.406	2.750	1.77	0.98	2.115	1.502	1-1/2"-11.5	0.531	-225	1/2"-13 x 1.75
		38	38	78	93	36	70	45	25	54	38	13			
P563113	LI-32-32P-30	2.00	2.00	3.54	4.00	1.688	3.062	1.77	0.98	2.490	2.002	2"-11.5	0.531	-228	1/2"-13 x 1.75
		51	51	90	102	43	78	45	25	63	51	13			
P563117	LI-40-40P-30	2.50	2.50	4.09	4.49	2.000	3.500	1.97	0.98	2.995	2.502	2-1/2"-8	0.531	-232	1/2"-13 x 2.25
		64	64	104	114	51	89	50	25	76	64	13			
P563118	LI-48-48P-30	3.00	3.00	4.88	5.28	2.438	4.188	1.97	1.06	3.615	3.002	3"-8	0.656	-237	5/8"-11 x 2.50
		76	76	124	134	62	106	50	27	92	76	17			

4-Bolt NPTF Threaded Flange

Code 61 NPTF Thread, Flat Face (Figure 2)

Donaldson Part No.	Description	Port Size	Pad Size	Dimensions (in./mm)									J NPTF	L Tap UNC-2B
				A	B	C	D	E	F	G	H			
P563163	LIC-16-16P-30	1.00	1.00	2.17	2.75	1.031	2.062	1.50	0.71	1.560	1.002	1"-11.5	3/8"-16	
		25	25	55	70	26	52	38	18	40	25			
P563166	LIC-20-20P-30	1.25	1.25	2.68	3.12	1.188	2.312	1.61	0.83	1.750	1.252	1-1/4"-11.5	7/16"-14	
		32	32	68	79	30	59	41	21	44	32			
P563171	LIC-32-32P-30	2.00	2.00	3.54	4.00	1.688	3.062	1.77	0.98	2.490	2.002	2"-11.5	1/2"-13	
		51	51	90	102	43	78	45	25	63	51			

Code 62 NPTF Thread, O-Ring (Figure 1)

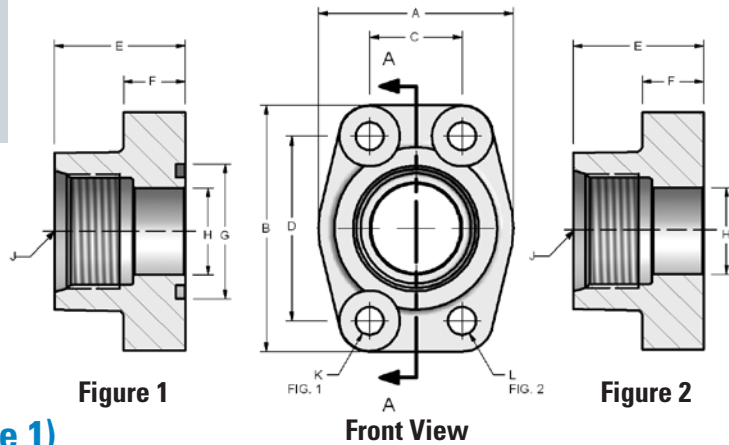
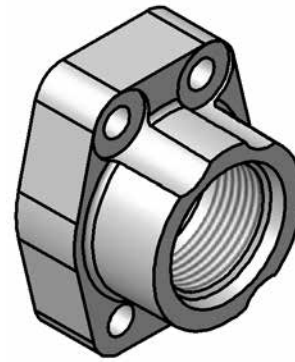
Donaldson Part No.	Description	Port Size	Pad Size	Dimensions (in./mm)									J NPTF	K (Dia.) Drill	Mounting Hardware	
				A	B	C	D	E	F	G	H	O-Ring			SHCS	
P563094	LI-16-16P-60	1.00	1.00	2.56	3.19	1.093	2.250	1.65	0.98	1.560	1.002	1-11.5	0.492	-219	7/16"-14 x 1.50	
		25	25	65	81	28	57	42	25	40	25		12			
P563101	LI-20-20P-60	1.25	1.25	3.07	3.75	1.250	2.625	1.77	1.06	1.750	1.252	1-1/4-11.5	0.531	-222	1/2"-13 x 1.50	
		32	32	78	95	32	67	45	27	44	32		13			
P563108	LI-24-24P-60	1.50	1.50	3.70	4.41	1.437	3.125	1.97	1.18	2.115	1.502	1-1/2-11.5	0.656	-225	5/8"-11 x 1.75	
		38	38	94	112	36	79	50	30	54	38		17			

4-Bolt SAE Threaded Flange

Specifications

- Code 61 and 62
- SAE Straight Thread
- Buna-N® O-Ring
- Mounting hardware and O-Ring included on O-Ring models
- Maximum temperature with O-Ring 250°F/ 121°C

Buna-N® is a registered trademark of E. I. DuPont de Nemours and Company.



Code 61 Straight Thread, O-Ring (Figure 1)

Donaldson Part No.	Reference	Port Size	Pad Size	Dimensions (in./mm)								J UN/UNF-2B	K (Dia.) Drill	Mounting Hardware	
				A	B	C	D	E	F	G	H			O-Ring	SHCS
P563090	LI-12-12S-30	0.75/19	0.75/19	1.97/50	2.56/65	0.875/22	1.875/48	1.42/36	0.71/18	1.250/32	0.752/19	1 1/16"-12	0.406/10	-214	3/8"-16 x 1.25
P563095	LI-16-16S-30	1.00/25	1.0/25	2.17/55	2.75/70	1.031/26	2.062/52	1.50/38	0.71/18	1.560/40	1.002/25	1 5/16"-12	0.406/10	-219	3/8"-16 x 1.50
P563102	LI-20-20S-30	1.25/32	1.25/32	2.68/68	3.12/79	1.188/30	2.312/59	1.61/41	0.83/21	1.750/44	1.252/32	1 5/8"-12	0.469/12	-222	7/16"-14 x 1.50
P563109	LI-24-24S-30	1.50/38	1.50/38	3.07/78	3.66/93	1.406/36	2.750/70	1.77/45	0.98/25	2.115/54	1.502/38	1 7/8"-12	0.531/13	-225	1/2"-13 x 1.75
P563115	LI-32-32S-30	2.00/51	2.00/51	3.54/90	4.00/102	1.688/43	3.062/78	1.77/45	0.98/25	2.490/63	2.002/51	2 1/2"-12	0.531/13	-228	1/2"-13 x 1.75

Code 61 Straight Thread, Flat Face (Figure 2)

Donaldson Part No.	Reference	Port Size	Pad Size	Dimensions (in./mm)								J UN/UNF-2B	L Tap UNC-2B
				A	B	C	D	E	F	G	H		
P563162	LIC-12-12S-30	0.75/19	0.75/19	1.97/50	2.56/65	0.875/22	1.875/48	1.42/36	0.71/18	1.250/32	0.752/19	1 1/16"-12	3/8"-16
P563165	LIC-16-16S-30	1.00/25	1.00/25	2.17/55	2.75/70	1.031/26	2.062/52	1.50/38	0.71/18	1.560/40	1.002/25	1 5/16"-12	3/8"-16
P563168	LIC-20-20S-30	1.25/32	1.25/32	2.68/68	3.12/79	1.188/30	2.312/59	1.61/41	0.83/21	1.750/44	1.252/32	1 5/8"-12	7/16"-14

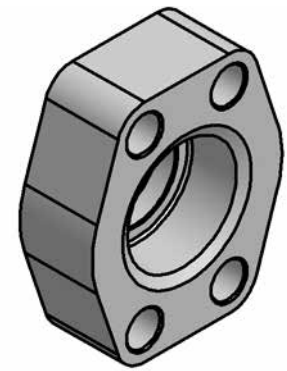
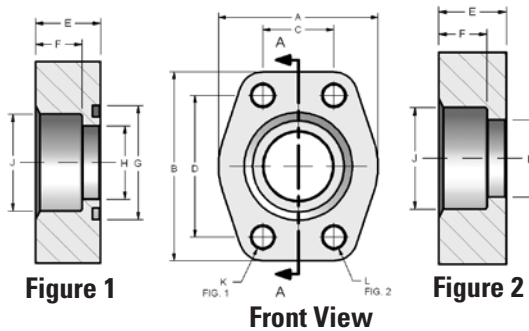
Code 62 Straight Thread, O-Ring (Figure 1)

Donaldson Part No.	Reference	Port Size	Pad Size	Dimensions (in./mm)								J UN/UNF-2B	K (Dia.) Drill	Mounting Hardware	
				A	B	C	D	E	F	G	H			O-Ring	SHCS
P563096	LI-16-16S-60	1.00/25	1.00/25	2.56/65	3.19/81	1.093/28	2.250/57	1.65/42	0.98/25	1.560/40	1.002/25	1 5/16"-12	0.492/12	-219	7/16"-14 x 1.50
P563103	LI-20-20S-60	1.25/32	1.25/32	3.07/78	3.75/95	1.250/32	2.625/67	1.77/45	1.06/27	1.750/44	1.252/32	1 5/8"-12	0.531/13	-222	1/2"-13 x 1.75
P563110	LI-24-24S-60	1.50/38	1.50/38	3.70/94	4.41/112	1.437/36	3.125/79	1.97/50	1.18/30	2.115/54	1.502/38	1 7/8"-12	0.656/17	-225	5/8"-11 x 2.25

Flat Socket Weld Flange

Specifications

- Code 61 and 62



Code 61, O-Ring (Figure 1)

Donaldson Part No.	Desc.	Pipe Size	Pad Size	Dimensions (in./mm)										Mounting Hardware	
				A	B	C	D	E	F	G	H	J	K	O-Ring	SHCS
P563119	LI-08-08W-30	0.50/13	0.50/13	1.813/46	2.125/54	0.688/17	1.500/38	0.75/19	0.560/14	1.000/25	0.502/13	0.855/22	0.344/9	-210	5/16"-18x1.5
P563120	LI-12-12W-30	0.75/19	0.75/19	2.063/52	2.563/65	0.875/22	1.875/48	0.75/19	0.560/14	1.250/32	0.752/19	1.062/27	0.406/10	-214	3/8"-16x1.5
P563121	LI-16-16W-30	1.00/25	1.00/25	2.313/59	2.750/70	1.031/26	2.063/52	0.88/22	0.630/16	1.560/40	1.002/25	1.328/34	0.406/10	-219	3/8"-16x1.75
P563122	LI-20-20W-30	1.25/32	1.25/32	2.875/73	3.125/79	1.188/30	2.313/59	0.94/24	0.690/18	1.750/44	1.252/32	1.672/42	0.469/12	-222	7/16"-14x1.75
P563123	LI-24-24W-30	1.50/38	1.50/38	3.250/83	3.688/94	1.406/36	2.750/70	1.19/30	0.750/19	2.115/54	1.502/38	1.922/49	0.531/13	-225	1/2"-13x2.25
P563124	LI-32-32W-30	2.00/51	2.00/51	3.813/97	4.000/102	1.688/43	3.063/78	1.38/35	0.875/22	2.495/63	2.002/51	2.406/61	0.531/13	-228	1/2"-13x2.5
P563127	LI-48-48W-30	3.00/76	3.00/76	5.156/131	5.313/135	2.438/62	4.188/106	2.12/54	1.250/32	3.615/92	3.002/76	3.547/90	0.656/17	-237	5/8"-11x3.5

Code 61, Flat Face (Figure 2)

Donaldson Part No.	Desc.	Pipe Size	Pad Size	Dimensions (in./mm)										L UNC-2B
				A	B	C	D	E	F	G	H	J		
P563176	LIC-12-12W-30	0.75/19	0.75/19	2.063/52	2.563/65	0.875/22	1.875/48	0.75/19	0.560/14	1.250/32	0.752/19	1.062/27	3/8"-16	
P563177	LIC-16-16W-30	1.00/25	1.00/25	2.313/59	2.750/70	1.031/26	2.063/52	0.88/22	0.630/16	1.560/40	1.002/25	1.328/34	3/8"-16	
P563178	LIC-20-20W-30	1.25/32	1.25/32	2.875/73	3.125/79	1.188/30	2.313/59	0.94/24	0.690/18	1.750/44	1.252/32	1.672/42	7/16"-14	
P563179	LIC-24-24W-30	1.50/38	1.50/38	3.250/83	3.688/94	1.406/36	2.750/70	1.19/30	0.750/19	2.115/54	1.502/38	1.922/49	1/2"-13	
P563180	LIC-32-32W-30	2.00/51	2.00/51	3.813/97	4.000/102	1.688/43	3.063/78	1.38/35	0.875/22	2.490/63	2.002/51	2.406/61	1/2"-13	
P563181	LIC-40-40W-30	2.50/64	2.50/64	4.281/109	4.500/114	2.000/51	3.500/89	1.75/44	1.000/25	2.995/76	2.502/64	2.906/74	1/2"-13	

Reservoir Accessories

- Suction strainers protect pumps from damage
- Diffusers for effectively reducing aeration, foaming, turbulence and noise caused by return lines
- Sight and level gauges available, including standard length, screw-in styles in plastic and steel for use in a variety of applications
- Plugs, caps and vents for small power units and gearboxes
- Filler breathers and caps in chrome, zinc epoxy-coated weatherproof finishes and corrosion-resistance technopolymer – lockable, dipsticks and side-mount versions available



T.R.A.P.[™] Breather Technology (Thermally Reactive Advanced Protection)

T.R.A.P. breathers provide fast-acting protection against airborne moisture and particulate contamination. It stops solid particulate down to 3 μm at 97% efficiency as well as prevents moisture from entering the reservoir. Water-holding capacity is regenerated with every oil return phase for long service life. Its self-regenerating capability enables extended life.

Suction Strainers

Flow Range: 0-300 gpm / 0-1,140 lpm

Outlet Port Size: 3/8" NPT to 4" NPT

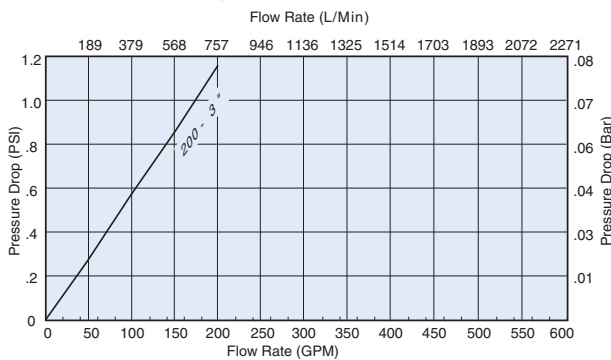
- Stainless Steel Mesh
- Steel or nylon fittings
- Operating temperatures:
Steel fitting to 250°F / 121°C
Nylon fitting to 210°F / 100°C
- Relief valve available



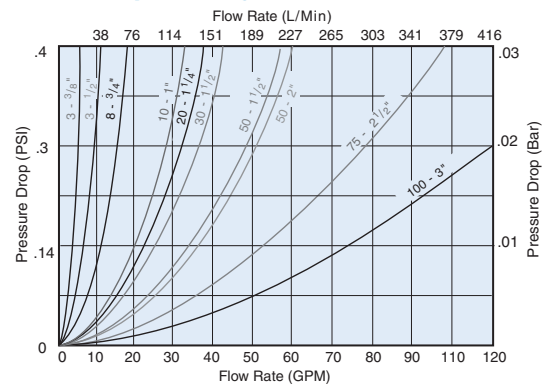
Features

Donaldson suction strainers are zinc-plated, with stainless steel mesh screens and rugged steel core centers epoxy bonded to heavy gauge connector and end caps. Suction strainers filter petroleum-based hydraulic fluids, phosphate esters, water glycols, lubricating oils, coolants, fuels and water in fluid reservoirs, sumps and similar applications. They are cleanable and reusable. Clean by swishing in non-caustic solvent, then blow dry from inner diameter to outer diameter with compressed air.

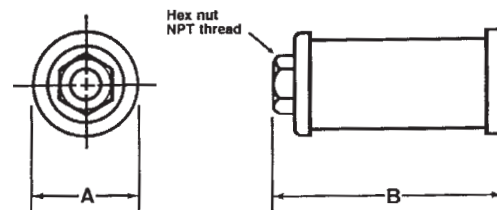
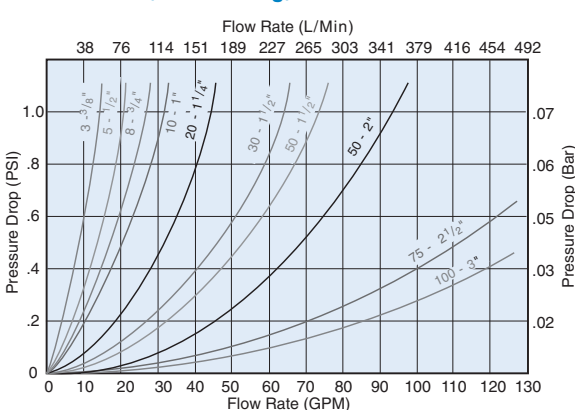
SEC (Steel Fitting) 200-300



PEC (Nylon Fitting) 3-100



SEH/SEC (Steel Fitting) 3-100



Note: PEC and SEH model strainers have hex nut style outlet fittings. SEC model strainers have pipe coupling style (round) outlet fittings. All styles have NPT threads inside.

Suction Strainer Choices

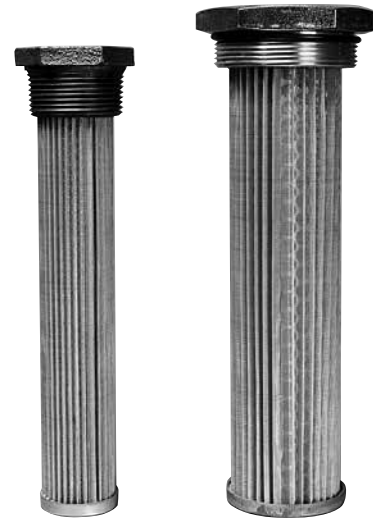
	Donaldson Part No.	Description	Relief Valve Setting	Outlet Pipe Size	Wire Mesh Size	Dim. A (in./mm)	Dim. B (in./mm)	Screen Area (sq. in./sq. cm)	Max. Flow (gpm/lpm)	
NYLON FITTING	P562235	PEC-3-3/8-100	n/a	3/8" NPT	100	1.9/48	2.7/69	20/129	3/11	
	P562240	PEC-5-1/2-100	n/a	1/2" NPT	100	1.9/48	4.3/109	25/161	5/19	
	P562245	PEC-8-3/4-100	n/a	3/4" NPT	100	2.7/69	4.3/109	40/258	8/30	
	P562246	PEC-8-3/4-100-RV3	3 psid/0.2 bar	3/4" NPT	100	2.7/69	4.3/109	40/258	8/30	
	P562244	PEC-8-1-100	n/a	1" NPT	100	2.7/69	4.3/109	40/258	8/30	
	P562226	PEC-10-1-100	n/a	1" NPT	100	2.7/69	5.6/142	70/452	10/38	
	P562227	PEC-10-1-100-RV3	3 psid/0.2 bar	1" NPT	100	2.7/69	5.6/142	70/452	10/38	
	P562228	PEC-20-1.1/4-100	n/a	1-1/4" NPT	100	3.4/86	5.6/142	128/826	20/75	
	P562229	PEC-20-1.1/4-100-RV3	3 psid/0.2 bar	1-1/4" NPT	100	3.4/86	5.6/142	128/826	20/75	
	P562231	PEC-20-1.1/4-200	n/a	1-1/4" NPT	200	3.4/86	5.6/142	128/826	20/75	
	P562232	PEC-30-1.1/2-100	n/a	1-1/2" NPT	100	3.4/86	5.6/142	128/826	30/113	
	P562233	PEC-30-1.1/2-100-RV3	3 psid/0.2 bar	1-1/2" NPT	100	3.4/86	5.6/142	128/826	30/113	
	P562236	PEC-50-1.1/2-100	n/a	1-1/2" NPT	100	4/102	8/203	200/1290	50/188	
	P562237	PEC-50-1.1/2-100-RV3	3 psid/0.2 bar	1-1/2" NPT	100	4/102	8/203	200/1290	50/188	
	P562238	PEC-50-2-100	n/a	2" NPT	100	4/102	10.4/264	200/1290	50/188	
	P562239	PEC-50-2-100-RV3	3 psid/0.2 bar	2" NPT	100	4/102	10.4/264	200/1290	50/188	
	P562242	PEC-75-2.1/2-100	n/a	2-1/2" NPT	100	5.2/132	8.5/216	316/2039	75/282	
	P562243	PEC-75-2.1/2-100-RV3	3 psid/0.2 bar	2-1/2" NPT	100	5.2/132	8.5/216	316/2039	75/282	
	P562223	PEC-100-3-100	n/a	3" NPT	100	5.2/132	11.5/292	379/2445	100/376	
	P562224	PEC-100-3-100-RV3	3 psid/0.2 bar	3" NPT	100	5.2/132	11.5/292	379/2445	100/376	
	P562225	PEC-100-3-100-SST	n/a	3" NPT	100	5.2/132	11.5/292	379/2445	100/376	
	STEEL FITTING	P562221	SEH-3-3/8-100	n/a	3/8" NPT	100	1.9/48	2.5/64	34/219	3/11
		P169012	SEH-5-1/2-100	n/a	1/2" NPT	100	2.63/67	3.1/79	62/400	5/19
		P563305	SEH-5-1/2-100-RV3	3 psid/0.2 bar	1/2" NPT	100	2.7/69	3.1/79	62/400	5/19
		P169013	SEH-8-3/4-100	n/a	3/4" NPT	100	2.63/67	3.55/90	68/439	8/30
P173910		SEH-8-3/4-100-RV3	3 psid/0.2 bar	3/4" NPT	100	2.63/67	3.55/90	68/439	8/30	
P169014		SEH-10-1-100	n/a	1" NPT	100	2.63/67	5.35/136	110/710	10/38	
P173911		SEH-10-1-100-RV3	3 psid/0.2 bar	1" NPT	100	2.63/67	5.35/136	110/710	10/38	
P169015		SEH-20-1.1/4-100	n/a	1-1/4" NPT	100	3.38/86	6.85/174	162/1045	20/75	
P173912		SEH-20-1.1/4-100-RV3	3 psid/0.2 bar	1-1/4" NPT	100	3.38/86	6.85/174	162/1045	20/75	
P169016		SEH-30-1.1/2-100	n/a	1-1/2" NPT	100	3.38/86	8.01/203	225/1452	30/113	
P173913		SEH-30-1.1/2-100-RV3	3 psid/0.2 bar	1-1/2" NPT	100	3.38/86	8.01/203	225/1452	30/113	
P169017		SEH-50-1.1/2-100	n/a	1-1/2" NPT	100	3.94/100	9.8/249	340/2194	50/188	
P173914		SEH-50-1.1/2-100-RV3	3 psid/0.2 bar	1-1/2" NPT	100	3.94/100	9.8/249	340/2194	50/188	
P562222		SEH-50-1.1/2-60	n/a	1-1/2" NPT	60	3.94/100	9.8/249	340/2194	50/188	
P169018		SEH-50-2-100	n/a	2" NPT	100	3.94/100	9.8/249	340/2194	50/188	
P173915		SEH-50-2-100-RV3	3 psid/0.2 bar	2" NPT	100	3.94/100	9.8/249	340/2194	50/188	
P169019		SEC-75-2.1/2-100	n/a	2-1/2" NPT	100	5.12/130	10.1/257	400/2581	75/282	
P173916		SEC-75-2.1/2-100-RV3	3 psid/0.2 bar	2-1/2" NPT	100	5.12/130	10.1/257	400/2581	75/282	
P169020		SEC-100-3-100	n/a	3" NPT	100	5.12/130	11.78/299	500/3226	100/376	
P173917		SEC-100-3-100-RV3	3 psid/0.2 bar	3" NPT	100	5.12/130	11.78/299	500/3226	100/376	
P562211		SEC-100-3-60	n/a	3" NPT	60	5.12/130	11.78/299	500/3226	100/376	
P562212		SEC-100-3-60-RV3	3 psid/0.2 bar	3" NPT	60	5.12/130	11.78/299	500/3226	100/376	
P562213		SEC-200-3-100	n/a	3" NPT	100	8.1/206	11.3/287	965/6226	200/752	
P562214		SEC-300-4-100	n/a	4" NPT	100	8.1/206	15/381	1370/8839	300/1128	
P171861		FIOA 20	n/a	G3/8"	90	2.05/52	3.03/77	29/184	2.7/10	
P171869		FIOA 50	n/a	G3/4"	90	2.95/75	3.74/95	54/348	6.6/25	
P171877		FIOA 90	n/a	G1"	90	2.95/75	5.55/141	86/554	12.0/45	
P171885		FIOA 130	n/a	G1 1/4"	90	3.74/95	7.24/184		17.3/65	
P171889		FIOA 175	n/a	G1 1/2"	90	5.51/140	4.45/113	183/1178	22.6/85	

Tank Mounted Strainers

Flow Range: 0-100 gpm / 0-380 lpm

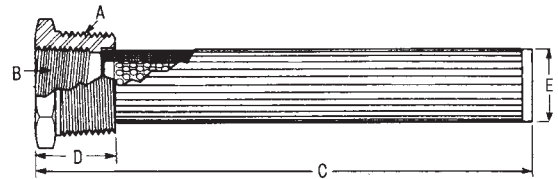
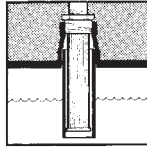
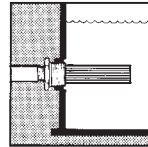
Outlet Port Size: 3/8" NPT to 1 1/4" NPT
or SAE-8 to SAE-20

- 140 Micron Stainless Steel Mesh
- Steel SAE bushing
- Cast iron NPT bushing
- Operating temperatures to 250°F / 121°C
- Relief valve available



Features

Tank mounted strainers offer easy installation. Access to reservoir interior is not needed. You can mount these units through a sidewall or through the tank top and into a standpipe.



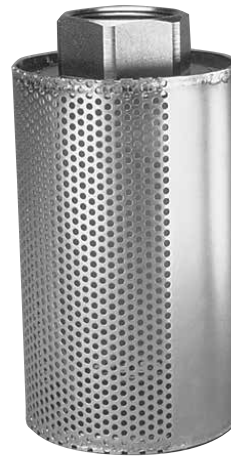
Donaldson Part No.	Description	Relief Valve Setting	Wire Mesh Size	Dim. A	Dim. B	Dim. C (in./mm)	Dim. D (in./mm)	Dim. E (in./mm)	Screen Area (sq. in./sq. cm)	Max. Flow (gpm/lpm)
P562270	TM-3-100	n/a	100	3/4" NPT	1/2" NPT	4/102	0.97/25	0.87/22	29/187	3/11
P562274	TM-5-100	n/a	100	1" NPT	1/2" NPT	5.34/136	1.06/27	1.17/30	35/226	5/19
P562275	TM-5-100-RV5	5 psid/0.35 bar	100	1" NPT	1/2" NPT	5.34/136	1.06/27	1.17/30	35/226	5/19
P562256	TM-10-100	n/a	100	1-1/4" NPT	3/4" NPT	8.17/208	1.2/30	1.36/35	64/413	10/38
P562257	TM-10-100-RV5	5 psid/0.35 bar	100	1-1/4" NPT	3/4" NPT	8.17/208	1.2/30	1.36/35	64/413	10/38
P562259	TM-10-60-RV5	5 psid/0.35 bar	60	1-1/4" NPT	3/4" NPT	8.17/208	1.2/30	1.36/35	64/413	10/38
P562260	TM-15-100	n/a	100	1-1/2" NPT	1" NPT	8.2/208	1.22/31	1.66/42	86/555	15/56
P562264	TM-15-100-RV5	5 psid/0.35 bar	100	1-1/2" NPT	1" NPT	8.2/208	1.22/31	1.66/42	86/555	15/56
P562265	TM-15-200-RV5	5 psid/0.35 bar	200	1-1/2" NPT	1" NPT	8.2/208	1.22/31	1.66/42	86/555	15/56
P562266	TM-25-100	n/a	100	2" NPT	1-1/4" NPT	9.04/230	1.35/34	2.12/54	125/806	25/94
P562267	TM-25-100-RV5	5 psid/0.35 bar	100	2" NPT	1-1/4" NPT	9.04/230	1.35/34	2.12/54	125/806	25/94
P562269	TM-25-200-RV5	5 psid/0.35 bar	200	2" NPT	1-1/4" NPT	9.04/230	1.35/34	2.12/54	125/806	25/94
P562271	TM-50-100	n/a	100	3" NPT	2" NPT	9.7/246	1.7/43	3/76	260/1677	50/188
P562272	TM-50-100-RV3	3 psid/0.2 bar	100	3" NPT	2" NPT	9.7/246	1.7/43	3/76	260/1677	50/188
P562273	TM-50-100-RV5	5 psid/0.35 bar	100	3" NPT	2" NPT	9.7/246	1.7/43	3/76	260/1677	50/188
P563306	TM-100-100	n/a	100	4" NPT	3" NPT	11.3/287	1.8/46	4/102	315/2032	100/376
P562255	TM-100-100-RV5	5 psid/0.35 bar	100	4" NPT	3" NPT	11.3/287	1.8/46	4/102	315/2032	100/376
P562253	STM-5-100	n/a	100	1-5/16" - 12 UN	3/4" - 16 UN	5.34/136	1.06/27	1.17/30	35/226	5/19
P562254	STM-5-100-RV5	5 psid/0.35 bar	100	1-5/16" - 12 UN	3/4" - 16 UN	5.34/136	1.06/27	1.17/30	35/226	5/19
P562247	STM-10-100	n/a	100	1-5/8" - 12 UN	1-1/16" - 12 UN	8.17/208	1.2/30	1.36/35	64/413	10/38
P562248	STM-10-100-RV5	5 psid/0.35 bar	100	1-5/8" - 12 UN	1-1/16" - 12 UN	8.17/208	1.2/30	1.36/35	64/413	10/38
P562249	STM-15-100	n/a	100	1-7/8" - 12 UN	1-5/16" - 12 UN	8.2/208	1.22/31	1.66/42	86/555	15/56
P562250	STM-15-100-RV5	5 psid/0.35 bar	100	1-7/8" - 12 UN	1-5/16" - 12 UN	8.2/208	1.22/31	1.66/42	86/555	15/56
P562251	STM-25-100	n/a	100	2-1/2" - 12 UN	1-5/8" - 12 UN	9.04/230	1.35/34	2.12/54	125/806	25/94
P562252	STM-25-100-RV5	5 psid/0.35 bar	100	2-1/2" - 12 UN	1-5/8" - 12 UN	9.04/230	1.35/34	2.12/54	125/806	25/94

Diffusers

Specifications

- Perforated Steel
- Cast iron bushings (TMD-tank mount)
- Zinc-plated steel (DFD-return line)
- Operating temperatures to 250°F / 121°C

Flow Range: 0-450 gpm / 0-1,710 lpm



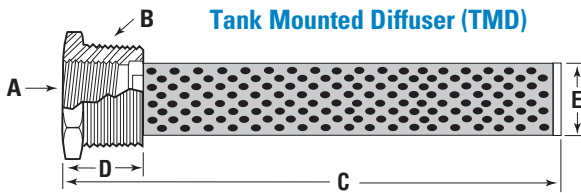
DFD



TMD

Features

Diffusers are highly effective in reducing aeration, foaming, turbulence and noise caused by return lines. Reservoir baffles can usually be eliminated, provided that the holes in the tube are positioned facing away from the pump suction inlet and below the reservoir oil level. Can be vertically or horizontally mounted with discharge side directed away from suction and preferably toward a tank wall or bottom.



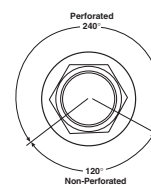
Tank Mounted Diffuser (TMD)

TMD - Tank Mount Diffusers

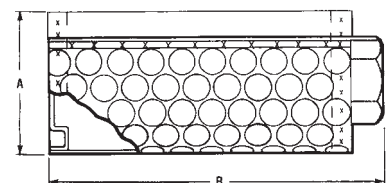
Donaldson Part No.	Desc.	Rated Flow gpm/l/min	Dim. A Pipe Size	Dim. B Pipe Size	C (in./mm)	D (in./mm)	E (in./mm)
P562281	TMD-5	5/19	1/2" NPT	1" NPT	5.34/135	1.06/28	1.17/29
P562282	TMD-10	10/38	3/4" NPT	1-1/4" NPT	8.17/207	1.2/30	1.36/34
P562283	TMD-15	15/59	1" NPT	1-1/2" NPT	8.2/208	1.22/31	1.66/42
P562284	TMD-25	25/95	1-1/4" NPT	2" NPT	9.04/229	1.35/34	2.12/53
P562285	TMD-50	50/189	2" NPT	3" NPT	9.7/246	1.7/43	3.0/76

DFD - Line Mount Diffusers

Donaldson Part No.	Desc.	Rated Flow gpm/l/min	Pipe Size	A (in./mm)	B (in./mm)
P562287	DFD-30	33/125	3/4" NPT	3.4/86.3	3.0/76
P562288	DFD-60	53/201	1" NPT	3.4/86.3	4.2/107
P562289	DFD-90	93/342	1-1/4" NPT	3.4/86.3	6.5/165
P562290	DFD-120	126/479	1-1/2" NPT	4.5/114.3	6.6/168
P562291	DFD-200	209/794	2" NPT	4.5/114.3	10.3/262
P562292	DFD-250	300/1140	2-1/2" NPT	5.25/133.4	13.0/330
P562293	DFD-300	450/1748	3" NPT	5.25/133.4	15.5/394



Line Mounted Diffuser (DFD)



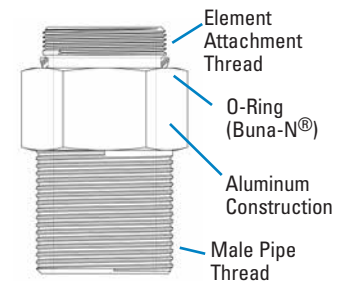
Breathers

Breathers are available in a variety of styles, materials and sizes. Breathers provide clean airflow into reservoirs and other storage containers where there is an exchange of air during changing fluid levels. In high moisture environments or applications with large changes in machine attitudes, breather caps with pressure relief and vacuum breakers limit air exchange and provide a positive suction head at the pump inlet.



Threaded Adapters for Creating Tank Breathers

Donaldson Part No.	LHA Part No.	Male Pipe Thread	Element Attachment Thread	Length (in./mm)	Material
P173544	GBF-15	3/4" NPT	1"-12 UN	2.50/64	Aluminum
P173545	GBF-50/60	1-1/4" NPT	1-1/2"-16 UN	3.00/76	Aluminum
P562627	GBF-10	3/4" NPT	1-1/8"-16 UN	1.65/42	Steel
P562628	ABGBA	Bayonet Fitting	1-1/8"-16 UN	1.36/35	Technopolymer
P570353	NA	Bayonet Fitting	1-1/2"-16 UN	2.74/695	Technopolymer



Buna-N® is a registered trademark of E. I. DuPont de Nemours and Company.

Direct Replacements for Schroeder Breathers

A replacement for Schroeder part ABF-3/10 is available as a breather+adapter set. For other Schroeder replacements and as an alternative on the ABF-3/10, you may purchase adapters and spin-on filters as separate items.

Schroeder Part No.	Donaldson Spin-On Breather + Adapter Set	Adapter	Spin-On Breather
ABF-3/10	P564425	P562627	P564424
ABF-3/10-F	NA	P562628	P564424
MBF-3-M-P20	NA	P173545	P550386
MBF-10-M-P20	NA	P173545	P550388

Replacement for Schroeder ABF3/10

P564425 Spin-On Breather & Adapter
P564424 Spin-On Breather only

Specifications:

Diameter: 3.69" / 93.7mm
Height: 3.6" / 91mm
Threads on adaptor: 3/4"-14 NPT



Spin-On Breather Filters

Donaldson Part No.	Use with Adapter	Micron Rating	Length (in./mm)	Diameter (in./mm)	Flow (scfm/gpm/lpm)
P564424	P562627 or P562628	10 micron nom.	3.6/91	3.7/94	15/112/421
P556005	P562627 or P562628	10 micron nom.	5.4/137	3.7/94	23/172/647
P551551	P173544	10 micron nom.	5.4/137	3.7/94	23/172/647
P560693	P173544	10 micron abs.	5.4/137	3.7/94	23/172/647
P564357	P173544	5 micron abs.	7.9/200	3.7/94	28/216/812
P179089	P173544	10 micron abs.	7.9/200	3.7/94	28/216/812
P169430	P173545	3 micron abs.	6.7/170	5.0/127	35/262/985
P167832	P173545	3 micron abs.	10.7/272	5.0/127	42/314/1181
P550386	P173545	3 micron nom.	6.7/170	5.0/127	35/262/985
P550250	P173545	3 micron nom.	10.7/272	5.0/127	42/314/1181
P167162	P173545	5 micron abs.	6.7/170	5.0/127	59/440/1654
P165762	P173545	5 micron abs.	10.7/272	5.0/127	64/479/1801
P550388	P173545	10 micron nom.	6.7/170	5.0/127	59/440/1654
P550251	P173545	10 micron nom.	10.7/272	5.0/127	64/479/1801
P165875	P173545	10 micron abs.	6.7/170	5.0/127	59/440/1654
P165876	P173545	10 micron abs.	10.7/272	5.0/127	64/479/1801

T.R.A.P.™ Breather

Flow Rates to: 45 cfm
1270 lpm

Particulate Removal to: 3 μm

Moisture Removal: Reversible
Adsorption



Features

Donaldson breathers with Thermally Reactive Advanced Protection (T.R.A.P.™) provide fast-acting protection for hydraulic reservoirs against airborne moisture and particulate contamination. Donaldson T.R.A.P. technology strip moisture vapor from intake air and expel the moisture back to the atmosphere. Moisture is prevented from entering and is actually “pumped” out with each flow cycle. T.R.A.P. media regenerates its water-holding capacity, which leads to longer service life – 3 to 4 times the life of conventional desiccant breathers.

- Electronic Indicator**
 Actuated by pressure differential, flashes red to indicate changeout is needed. Indicator setting, 1 psid/6.9 kPa. Indicator power source: 3V lithium battery CR2032.
- Mechanical Indicator Kits**
 Install kit between reservoir and T.R.A.P. breather. Lock-up style indicator with manual reset. Highly visible, bright red band shows when restriction limit is reached. Indicator setting, 20" H₂O/5.0 kPa.
- Oil Splash and Mist Containment**
 Keeps oil inside reservoir.
- Easy To Install**
 Lightweight—simply hand tighten.
- Rugged Design**
 Effective to -40°F (-40°C). Robust housing protects media. Because it withstands high vibration, T.R.A.P. is suitable for both stationary and mobile applications.

Operating Temperature

- 40°F to 200°F / -40°C to 93°C
- Intermittent operation to 250°F / 121°C

Particulate Removal Efficiency

- 3 μm at 97%

Connection Sizes

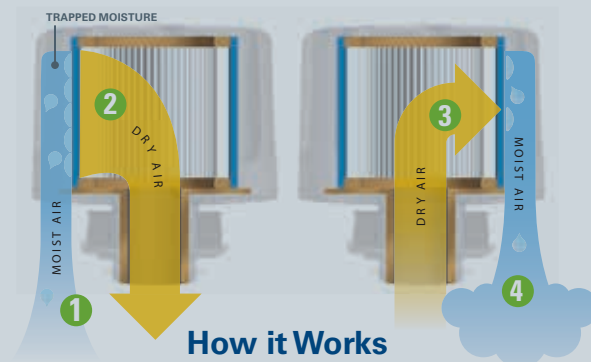
- 1" and 3/4" NPT, 3/4" BSP Bayonet
- 1/4" and 3/8" NPT, 9/16"-18UN

Flow Rates

- 45 cfm / 1274 lpm
- 25 cfm / 708 lpm
- 3 cfm / 85 lpm

Indicator Setpoint

- 1 psid / 6.9 kPa



INTAKE CYCLE (INHALATION)

- The circuit “breathes in” air containing moisture vapor.
- The T.R.A.P. breather strips moisture and particulate from the incoming air, allowing only clean, dry air to enter the circuit.

OUTFLOW CYCLE (EXHALATION)

- During the “exhalation” cycle, The T.R.A.P. breather allows unrestricted airflow outward.
- The outflow of dry air picks up the moisture collected by the T.R.A.P. Breather during intake, and “blows it back out” – fully regenerating the breather’s water-holding capacity.

Self-Regenerating T.R.A.P. Breather Choices

- Refer to the FIK section for additional T.R.A.P. breather options specific to those assembly models only.

Donaldson Part Number	Description	Connection	Maximum Flow (cfm/lpm)	Indicator	Moisture Removal	Oil/Splash Containment	Diameter (in./mm)	Total Height (in./mm)
X920006	X-Large-Urethane	1½" NPT Female	67/1893	std mechanical	Yes	No	6.50/165	16/407
P566151	Large-ABS	1" NPT	45/1274	opt mechanical	Yes	Yes	4.50/114	4.52/115
P566156	Large-ABS	Bayonet	45/1274	none	Yes	Yes	4.50/114	6.56/166.5
P564669	Large-ABS	1" NPT	45/1274	electronic	Yes	Yes	4.50/114	4.52/115
P565616	Large-ABS	Bayonet	45/1274	electronic	Yes	Yes	4.50/114	6.56/166.5
P565857	Medium-Steel	¾" NPT	25/708	opt mechanical	Yes	Yes	3.18/80.8	2.87/72.9
P565858	Medium-Steel	Bayonet	25/708	none	Yes	Yes	3.18/80.8	1.70/43.2
P566037	Medium-Steel	¾" BSP	25/708	none	Yes	Yes	3.18/80.8	2.87/72.9
P566174	Mini-Nylon	9/16"-18 UNF	3/85	none	Yes	Yes	1.65/41.9	2.18/55.4
P567390	Mini-Nylon	3/8" NPT	3/85	none	Yes	Yes	1.65/41.9	2.18/55.4
P567392	Mini-Nylon	1/4" NPT	3/85	none	Yes	Yes	1.65/41.9	2.18/55.4

Mini Particulate Breathers

P567931	Mini-Nylon	9/16"-18 UNF	3/85	none	No	Yes	1.65/41.9	2.18/55.4
P567932	Mini-Nylon	3/8" NPT	3/85	none	No	Yes	1.65/41.9	2.18/55.4
P567933	Mini-Nylon	1/4" NPT	3/85	none	No	Yes	1.65/41.9	2.18/55.4

Mechanical Indicator Kit - For use with P566151 & P565857* (*requires customer-supplied ¾"x1" NPT reducer)

P566168	Mechanical Indicator Kit	1" NPT coupling		20" H2O/5 kPa trip point			n/a	2.41/61.2
---------	--------------------------	-----------------	--	--------------------------	--	--	-----	-----------

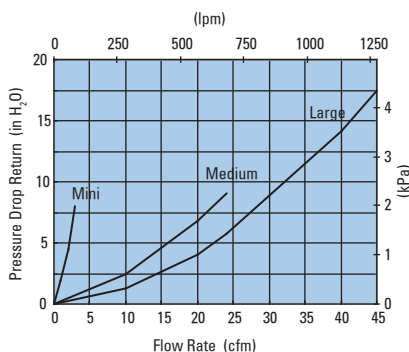
Bayonet Style Filler Basket / Flange Kits - For use with bayonet style T.R.A.P. Breathers

P566321	3" SS basket	6-bolt 2.81/71.4 circle					3.38/85.9	3.66/93.1
P563874	4" Nylon Basket	6-bolt 2.81/71.4 circle					3.38/85.9	4.59/117
P563453	6" SS basket	6-bolt 2.81/71.4 circle					3.38/85.9	6.74/172

T.R.A.P. Breather Sizing

Trap Model	Hydraulic System (gal/l)	In-plant Lube (gal/l)	Outside (gal/l)
Standard	100/375	500/1875	250/938
Metal	40/150	200/750	100/375
Mini	4/15	20/75	10/38

T.R.A.P. Performance Data



Activation Instructions for T.R.A.P. Breathers with Electronic Indicator

The T.R.A.P. breather has a service indicator that will indicate when it is time to replace the T.R.A.P. This indicator should be activated before the T.R.A.P. is put into service. Before the T.R.A.P. is activated, it is in a sleep mode to conserve the battery. The T.R.A.P. can remain in a sleep mode for over 6 months without detriment to the battery. While in sleep mode, the LED light will not flash until it is activated.

Activation

- 1 Remove the T.R.A.P. from the box and turn it upside down - with the neck and thread up.
- 2 Using a forefinger, insert into the neck of the T.R.A.P. and press on the plastic screen until the LED light begins to flash. The light will flash three times with a short flash followed by a long flash and then another short flash.
- 3 Release pressure from the switch immediately after the light begins flashing.

The T.R.A.P. is now activated.

Replacement

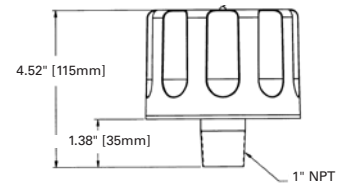
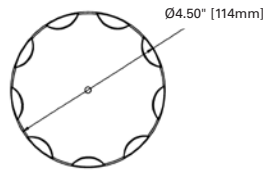
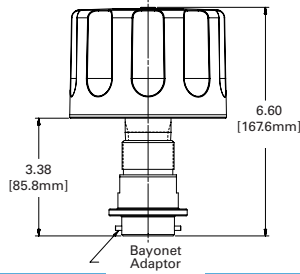
Replace T.R.A.P. with a new one when the light begins to blink.

T.R.A.P.™ Breather Specifications

Standard P565616
P566156 (no indicator version)
Available with or without electronic indicator

Top View

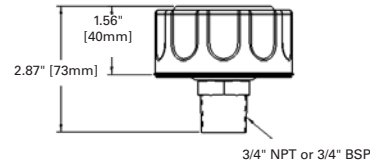
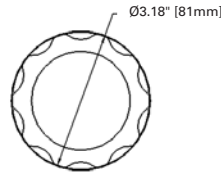
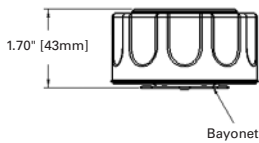
P564669 (optional mechanical)
P566151 (no indicator version)



Metal P565858

Top View

P565857 (3/4" NPT version, optional mechanical)
P566037 (3/4" BSP version)



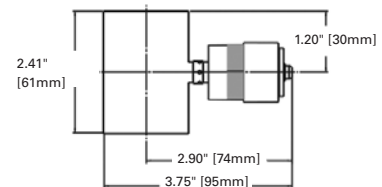
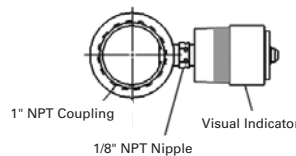
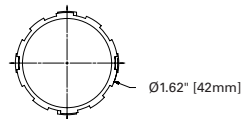
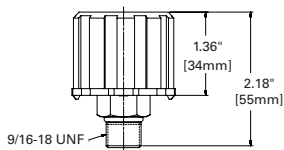
Mini P566174
P567390
P567392

Top View

Mechanical Indicator Kit P566168

*Suitable for use with P566151 and P565857**

**Requires additional 3/4" x 1" reducer bushing (supplied by customer)*



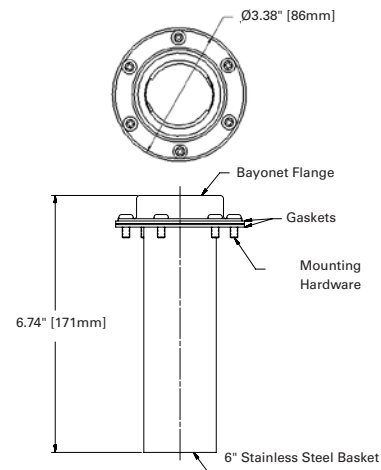
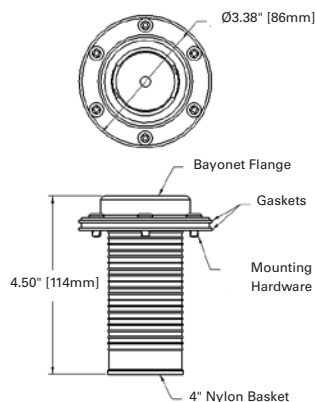
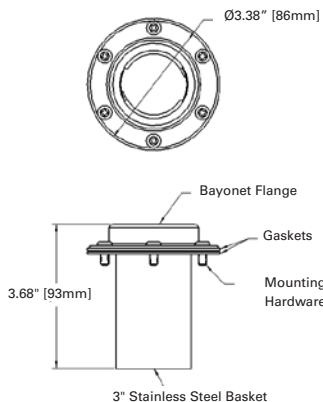
Bayonet Style Filler Basket/Flange Kits

Use with any bayonet style T.R.A.P. Breather

P566321

P563874

P563453



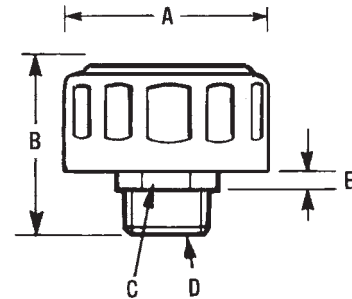
ABS, MBS Series

Specifications

- Chrome plated, epoxy coated or zinc plated steel cap
- Airflow to 30 cfm/850 lpm
- Compatible with petroleum based fluids
- Temperature to 212°F / 100°C
- 1/2", 3/4" and 1" NPT on ABS
- 1/4" and 3/8" NPT on MBS

Options

- 3, 10 and 40 micron (ABS), 10 and 40 micron (MBS)
- Dipstick available on some ABS models
- Zinc and epoxy coated weather-proof cap versions



Donaldson Part No.	Reference	Micron Rating	Airflow Capacity (cfm/lpm)	A (in./mm)	B (in./mm)	C (in./mm)	D	E (in./mm)	Finish
P562510	MBS-10-N04	10 µm	10/283	1.85/47	2.0/51	.75/19	1/4" NPT	.2/5	Chrome Plated
P562511	MBS-10-N06	10 µm	10/283	1.85/47	2.0/51	.75/19	3/8" NPT	.2/5	Chrome Plated
P562512	MBS-40-N04	40 µm	10/283	1.85/47	2.0/51	.75/19	1/4" NPT	.2/5	Chrome Plated
P562514	MBS-40-N06	40 µm	10/283	1.85/47	2.0/51	.75/19	3/8" NPT	.2/5	Chrome Plated
P562516	MBS-Z-10-N06	10 µm	10/283	1.85/47	2.0/51	.75/19	3/8" NPT	.2/5	Zinc Plated
P562517	ABS-03-N12	3 µm	30/850	3.15/80	2.8/71	1.18/30	3/4" NPT	.5/13	Chrome Plated
P562518	ABS-10-B12	10 µm	30/850	3.15/80	2.8/71	1.18/30	3/4" BSP	.5/13	Chrome Plated
P562519	ABS-10-N08	10 µm	30/850	3.15/80	2.8/71	1.18/30	1/2" NPT	.5/13	Chrome Plated
P562520	ABS-10-N12	10 µm	30/850	3.15/80	2.8/71	1.18/30	3/4" NPT	.5/13	Chrome Plated
P562521	ABS-10-N16	10 µm	30/850	3.15/80	2.8/71	1.18/30	1" NPT	.5/13	Chrome Plated
P562522	ABS-40-N08	40 µm	30/850	3.15/80	2.8/71	1.18/30	1/2" NPT	.5/13	Chrome Plated
P562523	ABS-40-N12	40 µm	30/850	3.15/80	2.8/71	1.18/30	3/4" NPT	.5/13	Chrome Plated
P562524	ABS-40-N16	40 µm	30/850	3.15/80	2.8/71	1.18/30	1" NPT	.5/13	Chrome Plated
P562525	ABS-W-03-N12	3 µm	30/850	3.15/80	2.8/71	1.18/30	3/4" NPT	.5/13	Epoxy Coated Black
P562526	ABS-W-10-N08	10 µm	30/850	3.15/80	2.8/71	1.18/30	1/2" NPT	.5/13	Epoxy Coated Black
P562527	ABS-W-10-N12	10 µm	30/850	3.15/80	2.8/71	1.18/30	3/4" NPT	.5/13	Epoxy Coated Black
P562528	ABS-W-10-N16	10 µm	30/850	3.15/80	2.8/71	1.18/30	1" NPT	.5/13	Epoxy Coated Black
P563901	ABS-W-40-B12	40 µm	30/850	3.15/80	2.8/71	1.18/30	3/4" BSP	.5/13	Epoxy Coated Black
P562529	ABS-W-40-N12	40 µm	30/850	3.15/80	2.8/71	1.18/30	3/4" NPT	.5/13	Epoxy Coated Black
P562530	ABS-W-40-N16	40 µm	30/850	3.15/80	2.8/71	1.18/30	1" NPT	.5/13	Epoxy Coated Black
P562531	ABS-Z-10-N16	10 µm	30/850	3.15/80	2.8/71	1.18/30	1" NPT	.5/13	Zinc Plated
P562532	ABS-Z-40-N08	40 µm	30/850	3.15/80	2.8/71	1.18/30	1/2" NPT	.5/13	Zinc Plated
P562533	ABS-Z-40-N12	40 µm	30/850	3.15/80	2.8/71	1.18/30	3/4" NPT	.5/13	Zinc Plated

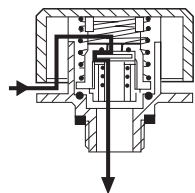
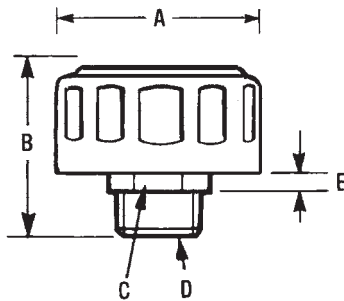
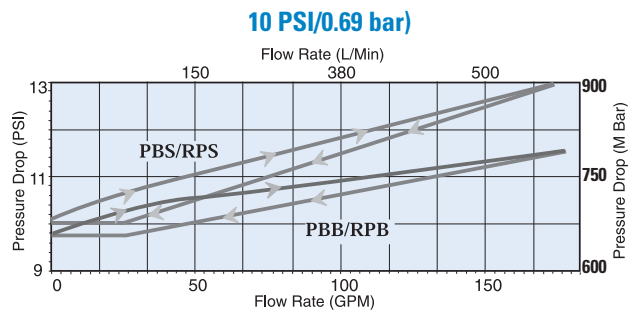
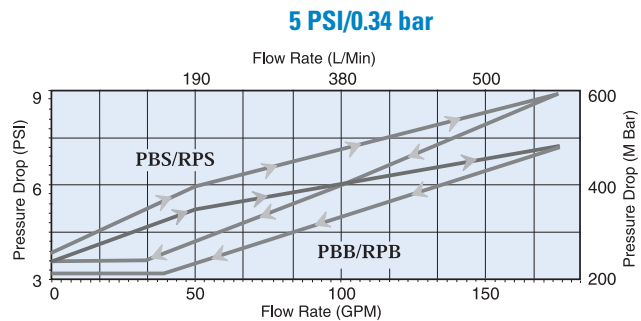
PBS Series Pressure Filler Breather Cap - Screw In Style



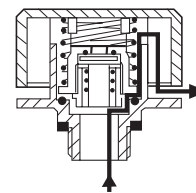
Specifications

- Chrome plated or epoxy coated steel cap
- Air intake valve opens at 0.435 *psi* / 3 *kPa*
- Compatible with petroleum based fluids
- Temperature range
-22°F to +240°F / -30°C to 115°C
- Buna-N® gaskets standard
- 10 and 40 micron available
- Relief valve settings at 5 *psi* / 0.34 bar or 10 *psi* / 0.69 bar full rate flow

Buna-N® is a registered trademark of E. I. DuPont de Nemours and Company.



Air intake in the reservoir through vacuum breaker when pressure decreases (.435 psi)



Venting to atmosphere through relief valve to maintain a 5 or 10 psi full rated flow

Donaldson Part No.	Description	Micron Rating	Airflow Capacity (cfm/lpm)	Relief Valve Setting (psi/bar)	Dim. A (in./mm)	Dim. B (in./mm)	Dim. C (in./mm)	Dim. D (in./mm)	Dim. E (in./mm)	Finish
P563362	PBS-10-10-N12	10 µm	30/850	10/0.69	3.15 / 80	2.8 / 71	1.18 / 30	3/4" NPT	.5 / 13	Chrome Plated
P563363	PBS-10-10-N16	10 µm	30/850	10/0.69	3.15 / 80	2.8 / 71	1.18 / 30	1" NPT	.5 / 13	Chrome Plated
P563365	PBS-10-5-N12	10 µm	30/850	5/0.34	3.15 / 80	2.8 / 71	1.18 / 30	3/4" NPT	.5 / 13	Chrome Plated
P563366	PBS-10-5-N16	10 µm	30/850	5/0.34	3.15 / 80	2.8 / 71	1.18 / 30	1" NPT	.5 / 13	Chrome Plated
P563367	PBS-40-10-N12	40 µm	30/850	10/0.69	3.15 / 80	2.8 / 71	1.18 / 30	3/4" NPT	.5 / 13	Chrome Plated
P563368	PBS-40-5-N12	40 µm	30/850	5/0.34	3.15 / 80	2.8 / 71	1.18 / 30	3/4" NPT	.5 / 13	Chrome Plated
P563369	PBS-40-5-N16	40 µm	30/850	5/0.34	3.15 / 80	2.8 / 71	1.18 / 30	1" NPT	.5 / 13	Chrome Plated
P563370	PBS-W-10-5-N12	10 µm	30/850	5/0.34	3.15 / 80	2.8 / 71	1.18 / 30	3/4" NPT	.5 / 13	Epoxy Coated Black
P563371	PBS-W-40-10-N12	40 µm	30/850	10/0.69	3.15 / 80	2.8 / 71	1.18 / 30	3/4" NPT	.5 / 13	Epoxy Coated Black
P563372	PBS-W-40-5-N12	40 µm	30/850	5/0.34	3.15 / 80	2.8 / 71	1.18 / 30	3/4" NPT	.5 / 13	Epoxy Coated Black

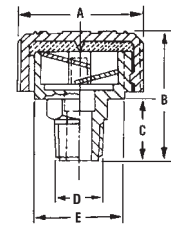
Filler Breather Caps

Specifications

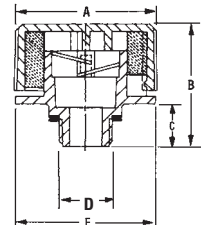
- High impact-resistant technopolymer construction
- Cap diameters 1.22"/31mm, 1.65"/42 mm, 2.24"/57 mm and 2.75"/70 mm
- Compatible with petroleum and water based fluids
- Temperature range -22°F to +240°F / -30°C to +115°C
- Displacements to 250 gpm/946 lpm without baffle
- Displacements to 144 gpm/547 lpm with anti-splash baffle



CPS / DPS / LPS



BPS / RPS

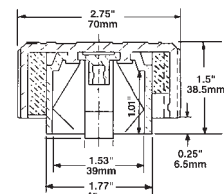


Donaldson Part No.	Description*	Micron Rating	Airflow Capacity (cfm/lpm)	Relief Valve Setting (psi/bar)	Dim. A (in./mm)	Dim. B (in./mm)	Dim. C (in./mm)	Dim. D (in.)	Dim. E (in./mm)
P562494	DPS-40-N04	40 µm	4.9/139	n/a	1.65/42	2.05/52	.71/18	1/4" NPT	1.2/30
P562495	DPS-40-N04-A	40 µm	2.1/59	n/a	1.65/42	2.05/52	.71/18	1/4" NPT	1.2/30
P563614	DPS-40-N06	40 µm	11.7/331	n/a	1.65/42	2.05/52	.71/18	3/8" NPT	1.2/30
P562497	DPS-40-N06-A	40 µm	5/142	n/a	1.65/42	2.05/52	.71/18	3/8" NPT	1.2/30
P562502	DPS-40-N12	40 µm	12.5/354	n/a	1.65/42	2.05/52	.71/18	3/4" NPT	1.2/30
P562503	DPS-40-N12-A	40 µm	5.4/153	n/a	1.65/42	2.05/52	.71/18	3/4" NPT	1.2/30
P562483	CPS-40-N12	40 µm	27/765	n/a	2.24/57	1.85/47	.87/22	3/4" NPT	1.53/39
P562484	CPS-40-N12-A	40 µm	13.5/382	n/a	2.24/57	1.85/47	.87/22	3/4" NPT	1.53/39
P562480	BPS-10-N12-A	10 µm	19.3/547	n/a	2.75/70	2.48/63	.83/21	3/4" NPT	2.68/68
P562481	BPS-40-N12	40 µm	33.4/946	n/a	2.75/70	2.48/63	.83/21	3/4" NPT	2.68/68
P562482	BPS-40-N12-A	40 µm	19.3/547	n/a	2.75/70	2.48/63	.83/21	3/4" NPT	2.68/68
P562492	RPS-40-5-N12	40 µm	30/850	5/0.34	2.75/70	2.48/63	.83/21	3/4" NPT	2.68/68

* -A = anti-splash

Donaldson Part No.	Desc.	Micron Rating	Airflow Capacity (cfm.lpm)	Dim. A (in./mm)	Dim. B (in./mm)	Dim. C (in./mm)	Dim. D (in./mm)	Comment
P562476	ABO-10	10 µm	30/850	2.75/70	1.5/39	.25/7	1.77/45	Fits over 1.50" OD tube
P562477	ABO-40	40 µm	30/850	2.75/70	1.5/39	.25/7	1.77/45	Fits over 1.50" OD tube

ABO



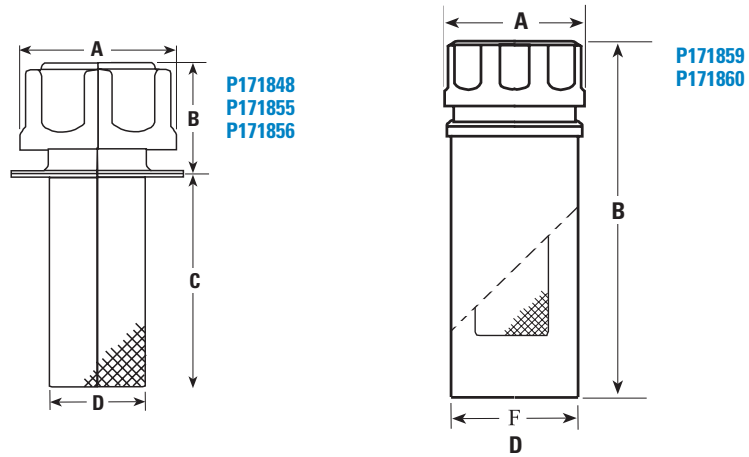
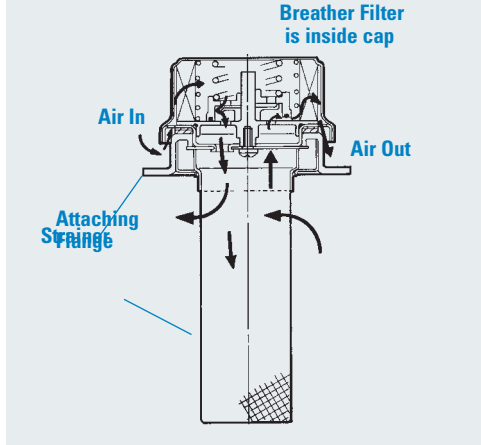
Filler Breather Assemblies

Features

- Removable 500 µm mesh strainer. (Except model P171848, which has a non-removable strainer.)
- 10 µm air breather/filter.
- Models P171855 & P171848 include drilled flanges with attaching screws.

How it Works

As fluid levels rise and fall inside the reservoir, air flows in and out through the strainer and breather as shown below. The breather filter inside the cap removes contaminants as small as 10 µm from the air to keep airborne contaminant from entering the fluid. The strainer removes large particles from fluid as it is added to the reservoir.



Filler Breather Specifications

Part No.	FLANGE SPECIFICATIONS				Flow (gpm/lpm)	FILLER BREATHER SPECIFICATIONS			
	Outer Dia. (in./mm)	No. of Holes	Hole Dia. (in./mm)	Bolt Circle		A (in./mm)	B (in./mm)	C (in./mm)	D (in./mm)
P171848	2.01/51	3	.22/5.5	1.61/41	70/270	1.81/45	1.38/35	2.48/63	1.1/28
P171855	3.31/84	6	.22/5.5	2.88/73	124/470	2.76/70	1.81/46	3.94/100	1.5/38
P171856	3.31/84	n/a	n/a		124/470	2.76/70	1.81/46	3.94/100	1.15/38
P171859		n/a - weldable			124/470	2.76/70	7.09/180	2.50/64	
P171860 *		n/a - weldable			124/470	2.76/70	7.09/180	2.50/64	

* For pressurized reservoirs at 5.8 psi/0.4 bar relief pressure.

Filler Cap Only (Replacement)

- P173292 — fits P171855, P171856, P171859
- P173364 for pressurized reservoir — fits P171860

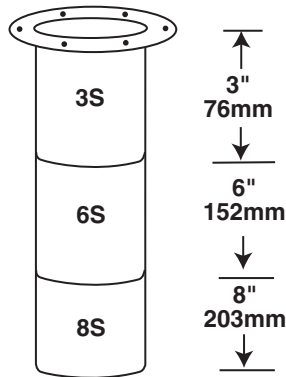
ABB Series Filler Breathers - Bayonet Style

Specifications

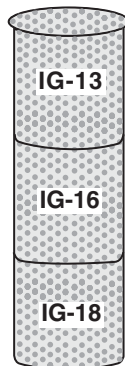
- Chrome plated, epoxy coated or zinc plated steel caps
- Airflow to 30 cfm/850 lpm
- Compatible with petroleum based fluids
- 30 mesh technopolymer basket
- Self tapping screws for flange mount
- Cork gaskets
- 3, 10, or 40 micron



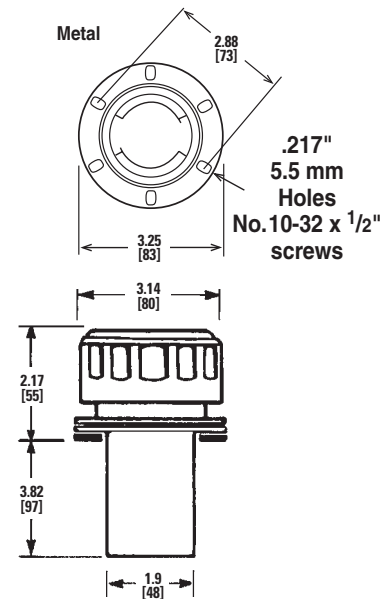
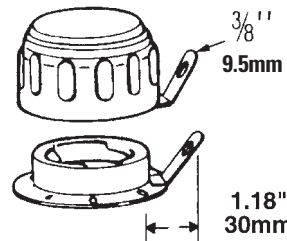
30 MESH STAINLESS STEEL BASKETS



INNER GUARDS



LOCKING TABS (AB ONLY)

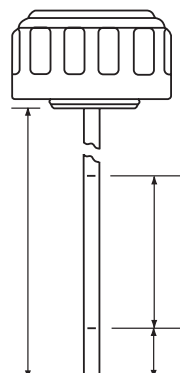
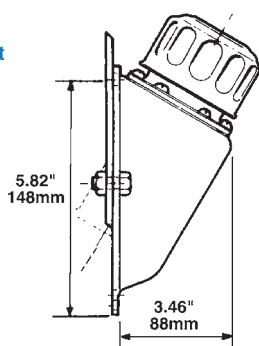


Donaldson Part No.	Reference	Features	Micron Rating	Finish
P562610	ABB-W-03-8S-IG	8" STAINLESS BASKET, INNER GUARD	3 μm	Epoxy Coated, Black
P562611	ABB-W-10-3S	3" STAINLESS BASKET	10 μm	Epoxy Coated, Black
P562612	ABB-W-10-3S-LT	3" STAINLESS BASKET, LOCK TAB	10 μm	Epoxy Coated, Black
P562614	ABB-W-10-N	NYLON BASKET	10 μm	Epoxy Coated, Black
P562616	ABB-W-10-N-R	NYLON BASKET, BUNA-N® GASKET	10 μm	Epoxy Coated, Black
P562618	ABB-W-40-3S	3" STAINLESS BASKET	40 μm	Epoxy Coated, Black
P562619	ABB-W-40-6S	6" STAINLESS BASKET	40 μm	Epoxy Coated, Black
P562620	ABB-W-40-N	NYLON BASKET	40 μm	Epoxy Coated, Black
P562623	ABB-Z-40-3S	3" STAINLESS BASKET	40 μm	Zinc Plated
P562624	ABB-Z-40-3S-LT	3" STAINLESS BASKET, LOCK TAB	40 μm	Zinc Plated
P562625	ABB-Z-40-N	NYLON BASKET	40 μm	Zinc Plated
P562626	ABB-Z-40-N-R	NYLON BASKET, BUNA-N GASKET	40 μm	Zinc Plated

Buna-N® is a registered trademark of E. I. DuPont de Nemours and Company.

Side Mount

Can be used with all Bayonet and Threaded Flange Breathers (except MBB & Pressurized Breathers). Maximum torque for fastening 112 in. lbs. with washers.



Dipsticks available for some models. See Features section on assembly tables.

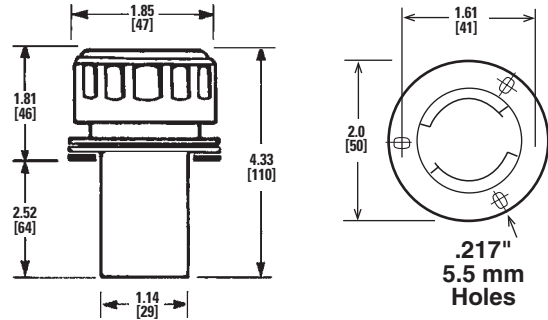
Chrome ABB Series Filler Breathers - Bayonet Style

Airflow to 30 cfm/850 lpm

Donaldson Part No.	Description	Features	Micron Rating
P562573	ABB-03-N	NYLON BASKET	3 µm
P562574	ABB-10	FLANGE, SCREWS & GASKET, NO BASKET	10 µm
P562575	ABB-10-3S	3" STAINLESS BASKET	10 µm
P562576	ABB-10-3S-LT	3" STAINLESS BASKET, LOCK TAB	10 µm
P562577	ABB-10-3S-R	3" STAINLESS BASKET, BUNA-N GASKET	10 µm
P562578	ABB-10-3S-SMB	3" STAINLESS BASKET, SIDE MOUNT KIT	10 µm
P562579	ABB-10-6S	6" STAINLESS BASKET	10 µm
P562580	ABB-10-6S-LT	6" STAINLESS BASKET, LOCK TAB	10 µm
P562581	ABB-10-6S-R	6" STAINLESS BASKET, BUNA-N GASKET	10 µm
P562582	ABB-10-8S	8" STAINLESS BASKET	10 µm
P562583	ABB-10-8S-D-IG	8" STAINLESS BASKET, DIPSTICK, INNER GUARD	10 µm
P562584	ABB-10-N	NYLON BASKET	10 µm
P562585	ABB-10-N-LT	NYLON BASKET, LOCK TAB	10 µm
P562587	ABB-10-N-R	NYLON BASKET, BUNA-N GASKET	10 µm
P562589	ABB-40	FLANGE, SCREWS & GASKET, NO BASKET	40 µm
P562590	ABB-40-3S	3" STAINLESS BASKET	40 µm
P562592	ABB-40-3S-R	3" STAINLESS BASKET, BUNA-N GASKET	40 µm
P562593	ABB-40-3S-SMB	3" STAINLESS BASKET, SIDE MOUNT KIT	40 µm
P562594	ABB-40-6S	6" STAINLESS BASKET	40 µm
P562595	ABB-40-6S-D	6" STAINLESS BASKET, DIPSTICK	40 µm
P562596	ABB-40-6S-LT	6" STAINLESS BASKET, LOCK TAB	40 µm
P562598	ABB-40-8S	8" STAINLESS BASKET	40 µm
P562599	ABB-40-8S-D	8" STAINLESS BASKET, DIPSTICK	40 µm
P562600	ABB-40-8S-LT	8" STAINLESS BASKET, LOCK TAB	40 µm
P562601	ABB-40-CWOF	CAP ONLY	40 µm
P562602	ABB-40-LT	LOCK TAB, NO BASKET	40 µm
P562603	ABB-40-N	NYLON BASKET	40 µm
P562605	ABB-40-N-LT	NYLON BASKET, LOCK TAB	40 µm
P562608	ABB-40-N-R	NYLON BASKET, BUNA-N GASKET	40 µm
P562609	ABB-40-N-SMB	NYLON BASKET, SIDE MOUNT KIT	40 µm

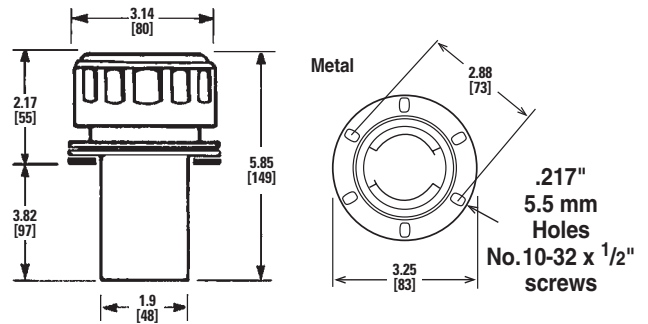
Mini Filler Breather

Donaldson Part No.	Description	Micron Rating	Airflow Capacity (cfm/lpm)	Finish
P562561	MBB-10-N	10 µm	10/283	Chrome
P562562	MBB-40-N	40 µm	10/283	Chrome



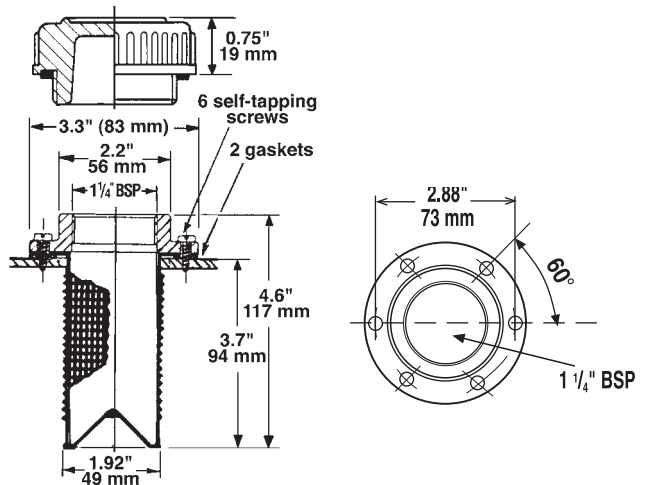
Non-Vent Filler Cap, Bayonet

Donaldson Part No.	Description	Feature	Finish
P562563	NVB-00-3S	FILLER CAP ASSY W/3" STAINLESS BASKET	Chrome
P562564	NVB-00-N	FILLER CAP ASSY W/ NYLON BASKET	Chrome
P562565	NVB-W-00-8S	FILLER CAP ASSY W/8" STAINLESS BASKET	Epoxy coated, Black



Non-Vent Filler Cap, Threaded

Donaldson Part No.	Description	Feature	Finish
P562550	NVT-00-N	FILLER CAP ASSY W/ NYLON BASKET	Black Technopolymer



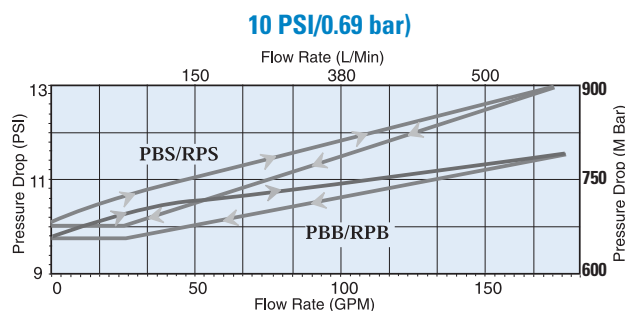
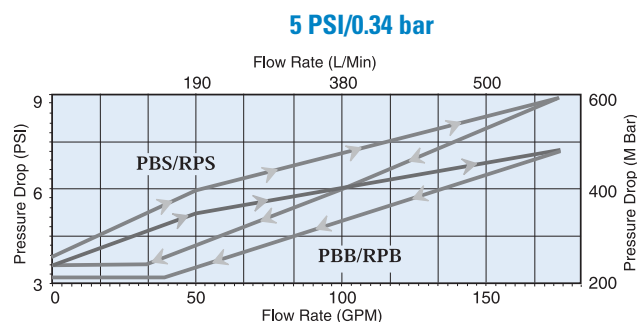
Filler Breathers

Specifications

- High impact black technopolymer
- Temperature range
-22°F to +240°F / -30°C to +115 °C
- 2.75" diameter cap
- Available with bayonet or threaded flange
- Airflow to 30 cfm/850 lpm
- Compatible with petroleum and water based fluids
- 30 mesh technopolymer basket

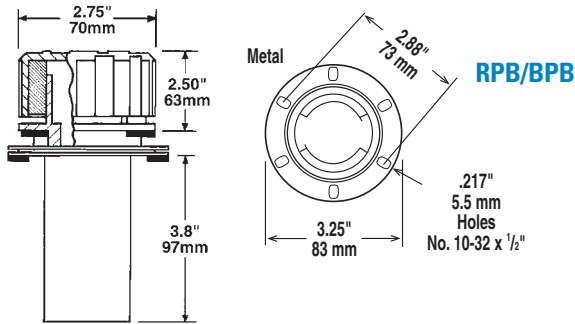
Options

- Dipstick
3"/76 mm, 6"/152 mm and 8"/ 203 mm stainless steel baskets



Bayonet Style (RPB) (BPB)

Donaldson Part No.	Description	Feature	Micron Rating	Airflow Capacity (cfm/lpm)	Relief Valve Setting (psi/bar)
P562554	RPB-40-5-3S	3" STAINLESS BASKET	40 μm	30/850	5/0.34
P562555	RPB-40-5-6S	6" STAINLESS BASKET	40 μm	30/850	5/0.34
P562556	RPB-40-5-N	NYLON BASKET	40 μm	30/850	5/0.34
P562534	BPB-10-A CAP ONLY	BREATHER CAP	10 μm	30/850	N/A
P562536	BPB-10-N-A	BREATHER	10 μm	30/850	N/A
P563813	BPB-40 CAP ONLY	BREATHER CAP	40 μm	30/850	N/A
P562537	BPB-40-3S	BREATHER W/3" STEEL BASKET	40 μm	30/850	N/A
P562538	BPB-40-3S-A	BREATHER	40 μm	30/850	N/A
P562539	BPB-40-6S-D	FILLER BREATHER W/DIP STICK	40 μm	30/850	N/A
P562540	BPB-40-A CAP ONLY	BREATHER CAP	40 μm	30/850	N/A
P562541	BPB-40-N	BREATHER	40 μm	30/850	N/A
P562542	BPB-40-N-A	BREATHER	40 μm	30/850	N/A
P562544	BPB-40-N-SMB	BREATHER W/SIDE MOUNT KIT	40 μm	30/850	N/A

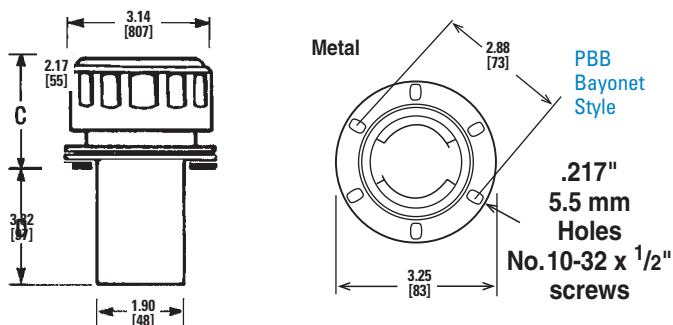


PBB Series Pressure Filler Breather Cap - Bayonet Style

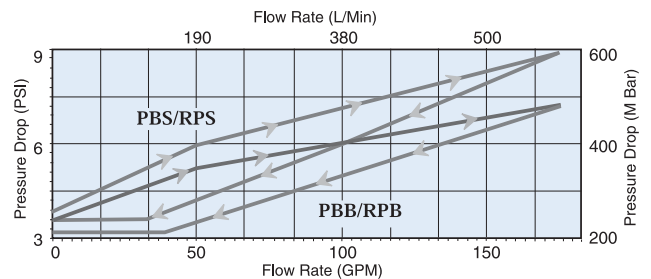
Specifications

- Chrome plated, epoxy coated or zinc plated steel cap
- Air intake valve opens at 0.435 psi/3 kPa
- Compatible with petroleum based fluids
- Temperature range -22°F to +240°F / -30°C to 115°C
- Buna-N® gaskets standard
- 10 and 40 micron available
- Relief valve settings at 5 or 10 psi/0.34 or 0.69 bar full rate flow

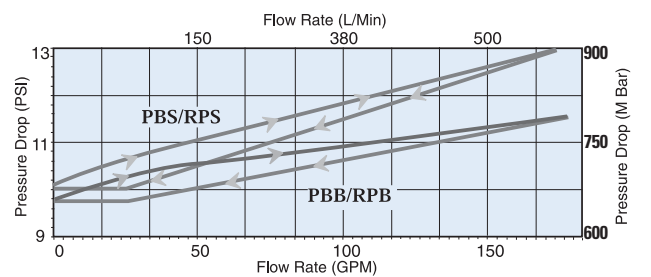
Buna-N® is a registered trademark of E. I. DuPont de Nemours and Company.



5 psi/0.34 bar



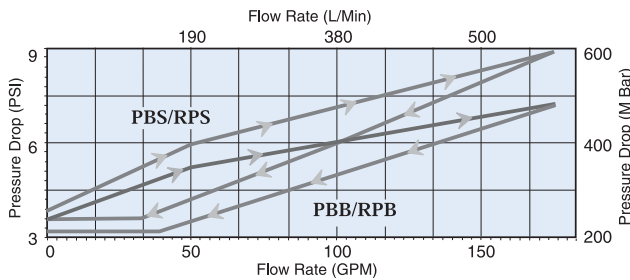
10 psi/0.69 bar



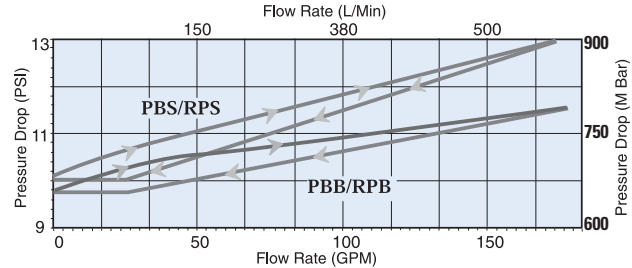
PBB Series Pressure Filler Breather Cap - Bayonet Style

Donaldson Part No.	Description	Feature	Micron Rating	Airflow Capacity (cfm/lpm)	Relief Valve Setting (psi/mm)	Finish
P563346	PBB-10-5-3S	3" STAINLESS BASKET	10 µm	30/850	5/0.34	Chrome
P563347	PBB-10-5-6S	6" STAINLESS BASKET	10 µm	30/850	5/0.34	Chrome
P563348	PBB-10-5-N	NYLON BASKET	10 µm	30/850	5/0.34	Chrome
P563349	PBB-10-5-N-LT	NYLON BASKET, LOCK TAB	10 µm	30/850	5/0.34	Chrome
P563350	PBB-40-10-N	NYLON BASKET	40 µm	30/850	10/0.69	Chrome
P563351	PBB-40-5	FLANGE, SCREWS & GASKET, NO BASKET	40 µm	30/850	5/0.34	Chrome
P563352	PBB-40-5-3S	3" STAINLESS BASKET	40 µm	30/850	5/0.34	Chrome
P563353	PBB-40-5-6S	6" STAINLESS BASKET	40 µm	30/850	5/0.34	Chrome
P563354	PBB-40-5-8S	8" STAINLESS BASKET	40 µm	30/850	5/0.34	Chrome
P563355	PBB-40-5-N	NYLON BASKET	40 µm	30/850	5/0.34	Chrome
P563356	PBB-W-10-5-N	NYLON BASKET	10 µm	30/850	5/0.34	Epoxy Coated, Black
P563357	PBB-W-10-5-N-LT	NYLON BASKET, LOCK TAB	10 µm	30/850	5/0.34	Epoxy Coated, Black
P563358	PBB-W-40-5-3S	3" STAINLESS BASKET	40 µm	30/850	5/0.34	Epoxy Coated, Black
P563360	PBB-Z-10-10-N	NYLON BASKET	10 µm	30/850	10/0.69	Zinc Plated
P563361	PBB-Z-10-5-N	NYLON BASKET	10 µm	30/850	5/0.34	Zinc Plated
P563326		3" STAINLESS BASKET ONLY				
P563465		6" STAINLESS BASKET ONLY				
P563466		8" STAINLESS BASKET ONLY				
P563322		4" NYLON BASKET ONLY				

5 PSI/0.34 bar

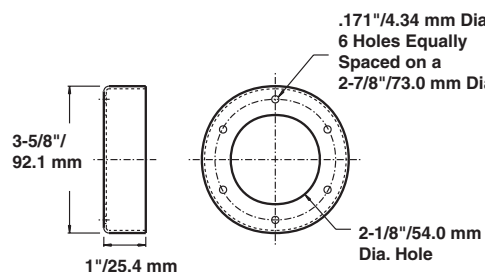


10 PSI/0.69 bar



Weld Risers for Filler Breathers

Donaldson Part No.	Description	Height (in./mm)
P562668	WR-5565	1"/25.4



Steel stamped construction
Predrilled holes align with standard breather tank flanges
Provides for easy installation of filler breathers

ARV™ Active Reservoir Vent™

The Donaldson Active Reservoir Vent™ (ARV™) is an effective dry air purging system for minimizing water contamination in fluids. It continuously supplies dry air to reservoirs and other vented components. Slight pressurization of the reservoir head space with dry air prevents ingress of humidity, therefore eliminating a common source of water contamination. In addition, as dry air sweeps over the surface of the oil, water evaporates and the oil dries to beneficial low levels. Through efficient and user-friendly water contamination control, the ARV's unique dry air purging system provides a wide range of benefits, including longer component life, extended fluid change intervals, and greater system uptime and reliability.



Do you have challenges with water in oil?

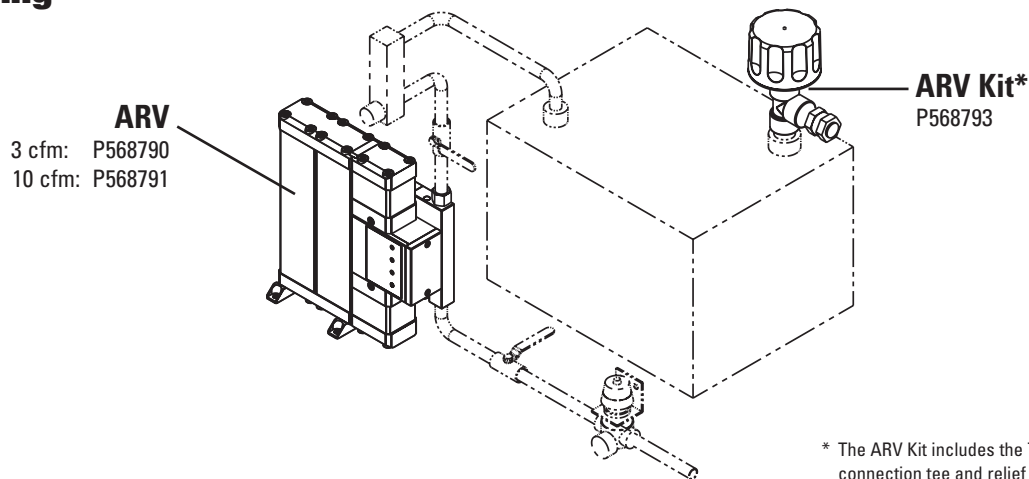
- Is your operation in a high humidity environment?
- Do you operate around wash water, spray down maintenance, or marine and off-shore environments?
- Do you get regular condensation in your reservoirs?
- Are you using a desiccant breather now?
 - How often do you change your desiccant?
 - Do you require frequent service maintenance / short life with your desiccant?
 - Are you concerned that your desiccant is saturated with water until it is too late?

Water is a frequent and damaging contaminant in hydraulic and lubrication systems, and water contamination causes a host of problems including corrosion, component seizure, microbial growth, additive dumping, and accelerated oil oxidation. The ARV will help prevent the chain of damage caused by water contamination.

Features	Benefits
Purges wet, humid air from reservoir head space	Greater uptime, longer bearing life, lower energy consumption, fewer parts replacement, and greater machine efficiency
Minimal annual maintenance	Low maintenance costs
Prefilter and afterfilter for particle removal	Added protection from particulate wear
Applications	
Hydraulic System Reservoirs	Small Storage tanks
Gear boxes	Multiple Tanks
Lube System Reservoirs	Lube Rooms

ARV™ Active Reservoir Vent™

Ordering



Specifications

ARV

Part Number	Flow Rate (scfm /lpm)	Recommended for Reservoir Size (gallons/liters)	NPTF Connection (inches)	Dimensions (in./mm)			Weight (lbs/kg)
				Height	Width	Depth	
P568790	3 / 85	up to 2,700 / 10,271	1/2"	13.7 / 348	11.8 / 300	4.7 / 120	15 / 6.8
P568791	10 / 283	up to 9,000 / 34,069	1/2"	34.8 / 884	11.8 / 300	4.7 / 120	33 / 14.9

- Electrical Requirements: 110 V/50-60 Hz AC, Approx. 4 W
- Medium: Compressed air/nitrogen
- Operating Pressure: 60 to 100 psig
- Medium Temperature: maximum = 122°F
- Ambient Temperature: minimum = -39°F; maximum = 122°F

ARV Kit** Breather Assembly

Part Number	Flow Rate (scfm)	Recommended for Reservoir Size (gallons/liters)	NPTM Connection (inches)	T.R.A.P. Breather Assembly (in./mm)		
				Height	Width	Depth
P568793	up to 10	up to 9,000 / 34,049	1	9 / 229	6.5 / 165	4.5 / 120

** Kit includes breather assembly, connection and relief vent.

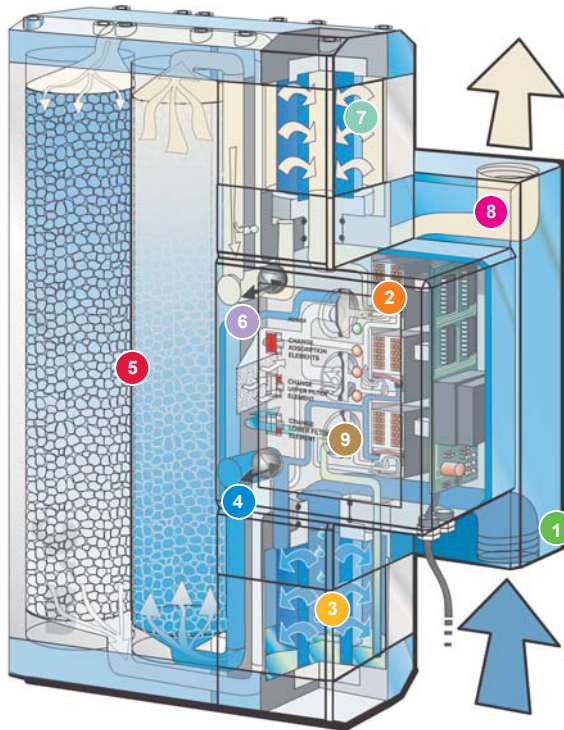
Replacement/Maintenance Parts & Schedule

Description	Recommended Change Interval	Part Number
T.R.A.P.™ reservoir breather	6 months	P564669
Service Kit (includes prefilter element, after filter element, desiccant cartridges, set of seals) for ARV adsorption dryer	6 months - 1 year*	ARV-3: P568796 ARV-10: P568797

*Please note the following servicing recommendations:

- Filter elements: after a maximum use of 8,000 operating hours or every 6 months
- Desiccant cartridges: after a maximum period use of 10,000 operating hours or once a year.

How the Active Reservoir Vent Works



- 1 Dryer Inlet
- 2 Processor Control
- 3 Prefilter
- 4 Lower Shuttle Valve
- 5 Desiccant Cartridges
- 6 Upper Shuttle Valve
- 7 Afterfilter
- 8 Dryer Outlet
- 9 Condensate Drain

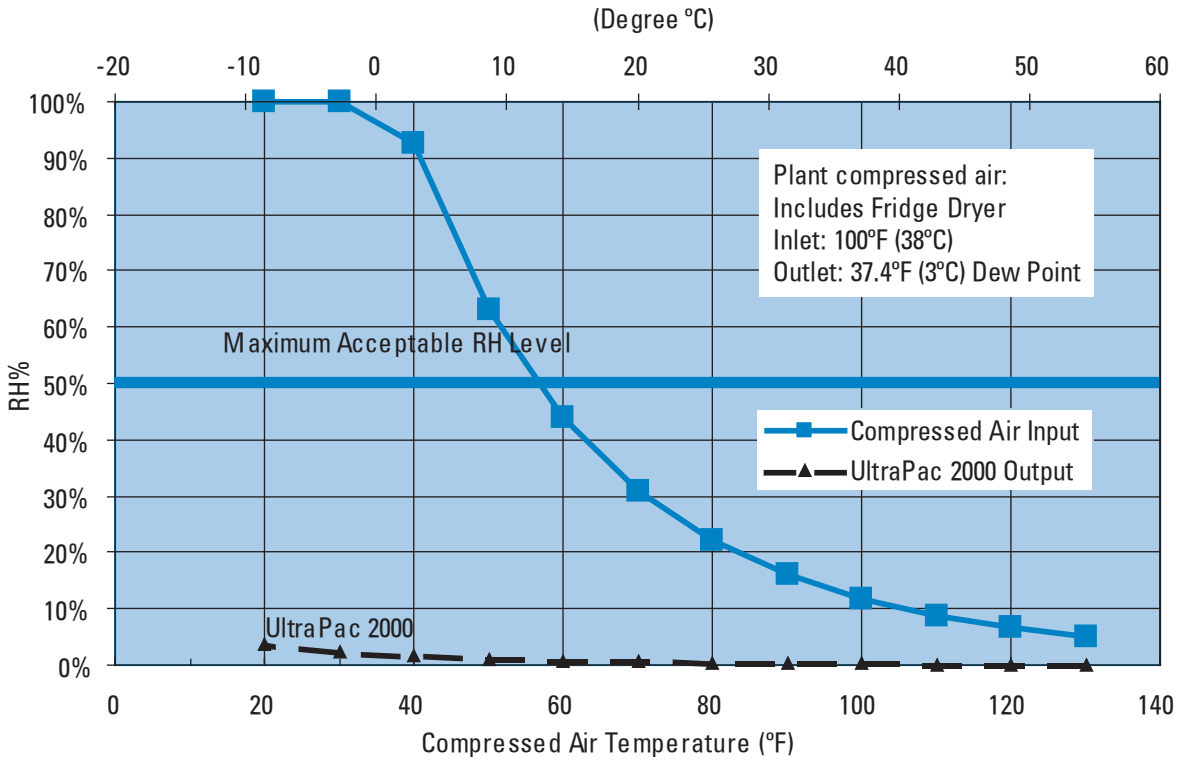
Small, Compact Point-of-Use Dryers

Heatless desiccant dryers, like all adsorption type dryers, use a desiccant to adsorb the water vapor in the airstream. In the most commonly used twin-tower design, one tower dries the air from the compressor, while the desiccant in the other tower is being regenerated to provide continuous operation. In the heatless desiccant dryer design, no internal or external heaters are used. Regeneration is achieved by using a partial stream of the dried air, expanding it to atmospheric pressure, and running it through the desiccant bed that is being regenerated. The standard regenerative desiccant dryer at 100 psig has a standard pressure dew point rating of $-40^{\circ}\text{F}/^{\circ}\text{C}$ and a dew point down to -100°F (-73°C) is available as an option.



Performance Data

Donaldson Active Reservoir Vent Performance



Sight Glasses

Specifications

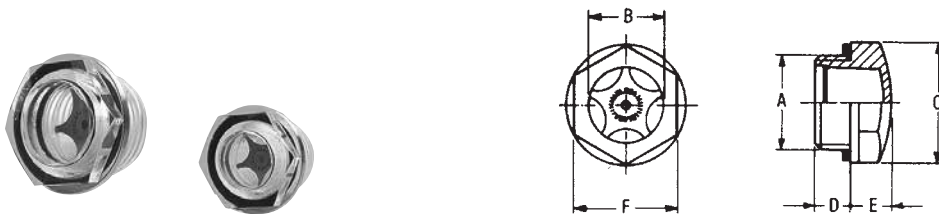
- Transparent polyamid lens
- Shock resistant
- Anodized aluminum reflector
- Operating temperature 210°F / 100°C
- Buna-N® seal
- For use with mineral, petroleum and water-based fluids
- Any contact with alcohol or solvents must be avoided
- Design HFTX

Buna-N® is a registered trademark of E. I. DuPont de Nemours and Company.



Features

Leak-free sight glasses come in plastic or metal with a variety of threads, seals and lenses. In low visibility areas, prism lens sight glasses are a good solution for quick and accurate readings. In applications involving high pressure or temperatures, steel sight glasses are preferred. Locking nuts provide mounting into sheet metal with minimum thickness and without welding.



Donaldson Part No.	Description	A -Thread Size	B	Dimensions (in./mm)			
				C	D	E	F
P562419	SG-04	1/4" BSP	.35/9	.71/18	.28/7	.24/6	.59/15
P562420	SG-06	3/8" BSP	.43/11	.87/22	.32/8	.28/7	.75/19
P562421	SG-08	1/2" BSP	.55/14	1.02/26	.32/8	.32/8	.87/22
P562423	SG-08-S	3/4" - 16 UN	.51/13	1.02/26	.59/15	.32/8	.87/22
P562426	SG-12	3/4" BSP	.79/20	1.22/31	.35/9	.39/10	1.06/27
P562427	SG-12-S	1-1/16" - 12 UN	.75/19	1.38/35	.59/15	.39/10	1.18/30
P562428	SG-16	1" BSP	1.00/25	1.58/40	.43/11	.39/10	1.34/34
P562430	SG-20	1-1/4" BSP	1.18/30	1.85/47	.47/12	.51/13	1.61/41

Prism Sight Glasses

Specifications

- Prism lenses: special translucent polyamide technopolymer
- For low light applications
- Body: special black polyamide technopolymer
- Available in 3/4" and 1" NPT sizes
- Resistant to solvents, oils, greases, alkaline acids
- Avoid alcohol and detergents containing alcohol
- Flat Buna-N[®] seal

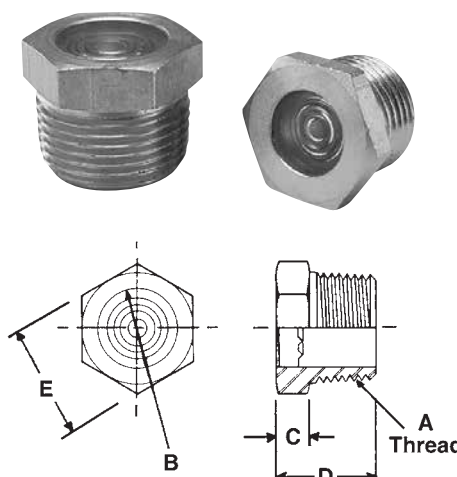


Buna-N[®] is a registered trademark of E. I. DuPont de Nemours and Company.

Donaldson Part No.	Description	A - Thread Size	B	Dimensions (in./mm)			
				C	D	E	F
P562417	PSG-12	3/4" NPT	0.70/18	1.38/35	0.40/10	0.33/8.5	1.26/32
P562418	PSG-16	1" NPT	0.90/23	1.70/43	0.43/11	0.36/9	1.50/38

Specifications

- All nickel-plated steel construction
- Glass prism lenses hermetically sealed
- Leak-proof service
- Greater mechanical strength
- Easy installation
- Reflects light in the presence of any liquid
- Maximum operating temp. 500°F / 260°C
- Suitable for petroleum and water based fluids



Donaldson Part No.	Description	A - Thread Size	B	Dimensions (in./mm)		
				C	D	E
P562408	SVM-04	1/4" NPT	0.34/8	0.19/5	0.44/11	0.63/16
P562409	SVM-06	3/8" NPT	0.44/11	0.22/6	0.5/13	0.75/19
P562410	SVM-08	1/2" NPT	0.56/14	0.22/6	0.56/14	0.94/24
P562411	SVM-12	3/4" NPT	0.75/19	0.31/8	0.63/16	1.06/27
P562412	SVM-16	1" NPT	0.94/24	0.31/8	0.94/24	1.38/35
P562413	SVM-20	1-1/4" NPT	1.19/30	0.41/10	0.81/21	1.75/44
P562414	SVM-24	1-1/2" NPT	1.44/37	0.41/10	0.81/21	2.00/51
P562415	SVM-32	2" NPT	1.88/48	0.41/10	0.88/22	2.50/64

Fluid Level Gauges

Specifications

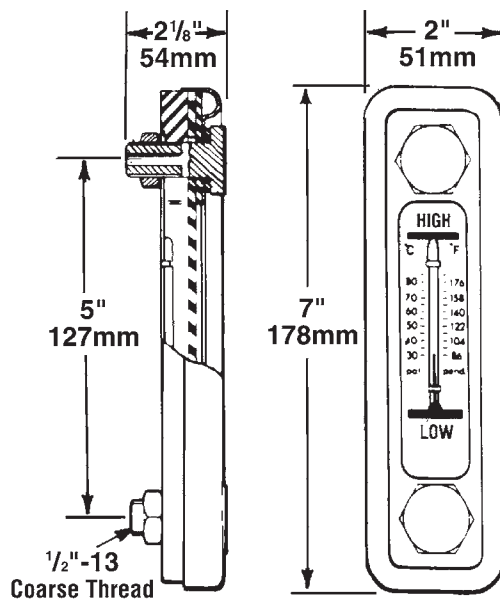
- Steel frame
- Acrylic lens
- Steel zinc plated bolts
- 5" (127 mm) mounting bolt centers
- Maximum wall thickness: 1/2"/12.7 mm
- Maximum temperature:
SLT 225°F / 107°C; SLG 180°F / 80°C

Features

Donaldson offers a wide variety of fluid level gauges that let you accurately measure fluid levels in your tanks and reservoirs. Gauges are made with transparent lens material and are suitable for lubricants, mineral, petroleum and water based fluids. They offer 180° visibility of fluid level.



SLT-1214
P562433



Donaldson Part No.	Desc.	Feature	Seals
P562433	SLT-1214	5"/127 mm Level Gauge w/ Red Thermometer, Chrome Steel Frame	Neoprene

Bolt torque: 15 ft.-lbs./20 Nt-m. Do not exceed 20 ft.-lbs./27 Nt-m.

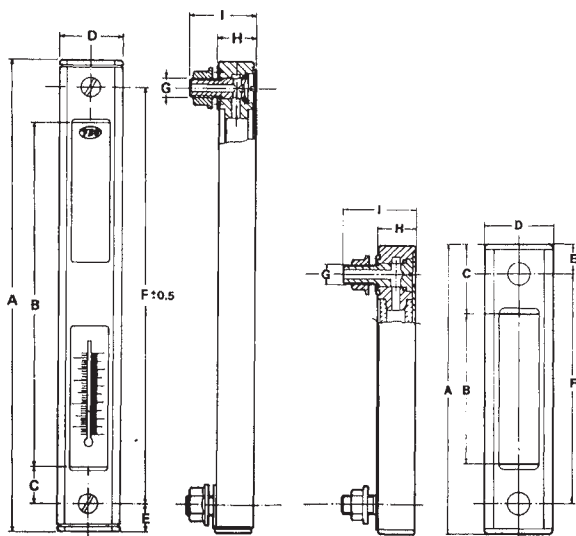
Fluid Level Gauges

Specifications

- Transparent lens material
- Buna-N[®] seals
- Maximum working pressure for pressurized tanks:
14.5 psi / 1 bar / 100 kPa.
- Oil level and temperature or oil level only
- Temperature scale:
35° to 210°F / 0° to 100°C.



Buna-N[®] is a registered trademark of E. I. DuPont de Nemours and Company.



Bolt torque: 10 ft.-lbs/Nt-m.
Inside nut for tightening directly on the tank.
Suggested mounting hole diameter: 11mm or 13mm.

Oil Level/Temperature Gauge Specifications (35° - 210°F / 0° - 100°C)

(shown above left)

Part No.	Dimensions (in./mm)									
	A	B	C	D	E	F	G-Thread	H	I	
P171920	6.22/158	3.22/82	.89/22.5	1.57/40	.61/15.5	5/127	M12 x 1.75	.78/20	1.57/40	
P171922	11.22/285	8.23/209	.89/22.5	1.57/40	.61/15.5	10/254	M12 x 1.75	.78/20	1.57/40	

Oil Level Gauge Specifications

(shown above right)

Part No.	Dimensions (in./mm)									
	A	B	C	D	E	F	G-Thread	H	I	
P171918	6.22/158	3.23/82	.89/22.5	1.57/40	.61/15.5	5/127	M12 x 1.75	.78/20	1.57/40	
P171913	4.21/107	1.22/31	.89/22.5	1.57/40	.61/15.5	3/76	M10 x 1.5	.78/20	1.57/40	

Fluid Level Gauges

Specifications

- Ultrasonically welded polyamide
- Suitable for pressurized reservoirs
- Maximum operating temperature: 212°F / 100°C
- Scale: 32°F to 212°F / 0°C to 100°C
- Maximum wall thickness:
LG-3 - 1/2"/12.7 mm,
LG-5/LG-10 - 3/8"/8.3 mm
- Buna-N® O-ring seals
- Zinc plated bolts
- Metric bolts

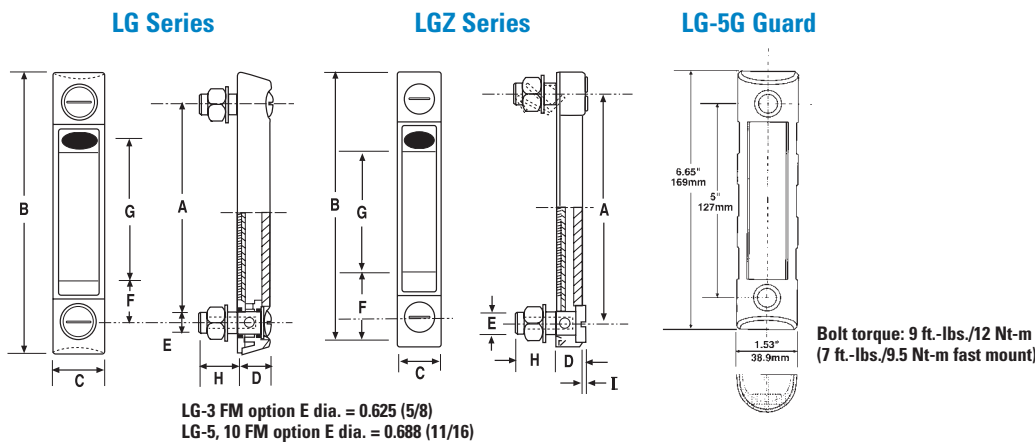


Note: Any contact with alcohol, alcohol-based washing fluids, or petroleum distillates must be avoided. Do not chamfer tank mounting holes. Not for water-glycol applications

Buna-N® is a registered trademark of E. I. DuPont de Nemours and Company.

Options:

- 1/2"-13 bolts (LG-5)
- Protective guard (LG-5)
- Viton seals
- Red and blue thermometers
- Alcohol resistant version
- Fast mount kit (requires no internal access or threads to mount)



Fluid Level Gauge Guard (LG-5 Series only)

Donaldson Part No.	Description	Feature	Bolt Center A (in./mm)	B (in./mm)	C (in./mm)	D (in./mm)
P562453	LG-G	5"/127 mm Level Gauge Guard	5.00/127	6.65/169	1.53/39	.98/25

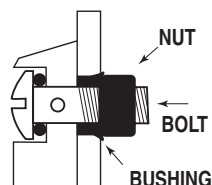
Transparent Polyamide Fluid Level Gauges

Donaldson Part No.	Description	Feature	Bolt Center			Dimensions (in./mm)						
			A	B	C	D	Hole Dia. E	Bolt Size	F	G	H	I
P562438	LG-3	3" Level Gauge	3.00/76	4.17/106	1.06/27	.63/16	.42/10	M10 x 1.5	.71/18	1.31/33	.83/21	
P562440	LG-3-FM	3" Level Gauge w/ Fast Mount kit	3.00/76	4.17/106	1.06/27	.63/16	.625/16	M10 x 1.5	.71/18	1.31/33	.83/21	
P562441	LG-3-T	3" Level Gauge w/ Red Thermometer	3.00/76	4.17/106	1.06/27	.63/16	.42/10	M10 x 1.5	.71/18	1.31/33	.83/21	
P562442	LG-3-TB	3" Level Gauge w/ Blue Thermometer	3.00/76	4.17/106	1.06/27	.63/16	.42/10	M10 x 1.5	.71/18	1.31/33	.83/21	
P562454	LG-Z-3	3" Level Gauge	3.00/76	3.90/99	.90/22	.57/14.5	.42/10	M10 x 1.5	.70/18	1.30/33.6	.90/23	0.06/1.5
P562444	LG-5	5" Level Gauge	5.00/127	6.34/161	1.22/31	.71/18	.47/12	M12 x 1.75	.90/23	2.91/74	.90/23	
P562445	LG-5-13	5" Level Gauge w/ 1/2" -13 bolt kit	5.00/127	6.34/161	1.22/31	.71/18	.50/13	1/2" - 13 UNC	.90/23	2.91/74	.90/23	
P562447	LG-5-FM	5" Level Gauge w/ Fast Mount kit	5.00/127	6.34/161	1.22/31	.71/18	.688/17.5	M12 x 1.75	.90/23	2.91/74	.90/23	
P562448	LG-5-T	5" Level Gauge w/ Red Thermometer	5.00/127	6.34/161	1.22/31	.71/18	.47/12	M12 x 1.75	.90/23	2.91/74	.90/23	
P562449	LG-5-T-13	5" Level Gauge w/ Red Thermometer & 1/2"-13 bolt kit	5.00/127	6.34/161	1.22/31	.71/18	.50/13	1/2" - 13 UNC	.90/23	2.91/74	.90/23	
P562450	LG-5-TB	5" Level Gauge w/ Blue Thermometer	5.00/127	6.34/161	1.22/31	.71/18	.47/12	M12 x 1.75	.90/23	2.91/74	.90/23	
P562451	LG-5-T-FM	5" Level Gauge w/ Red Thermometer & Fast Mount kit	5.00/127	6.34/161	1.22/31	.71/18	.688/17.5	M12 x 1.75	.90/23	2.91/74	.90/23	
P563913	LG-5-T-G	5" Level Gauge w/ Red Thermometer & Guard	5.00/127	6.34/161	1.22/31	.71/18	.47/12	M12 x 1.75	.90/23	2.91/74	.90/23	
P562452	LG-5-T-SS	5" Level Gauge w/ Red Thermometer, Stainless Bolt kit	5.00/127	6.34/161	1.22/31	.71/18	.47/12	M12 x 1.75	.90/23	2.91/74	.90/23	
P562456	LG-Z-5	5" Level Gauge	5.00/127	5.9/150	.90/22	.57/14.5	.47/12	M12 x 1.75	.93/23.5	2.90/73.7	.90/23	0.06/1.5
P562458	LG-Z-5-V	5" Level Gauge w/ Viton seals	5.00/127	5.9/150	.90/22	.57/14.5	.47/12	M12 x 1.75	.93/23.5	2.90/73.7	.90/23	0.06/1.5
P562434	LG-10	10" Level Gauge	10.00/254	11.42/290	1.38/35	.71/18	.47/12	M12 x 1.75	1.02/26	7.60/193	.90/23	
P562435	LG-10-LF	10" Level Gauge w/ Level Float	10.00/254	11.42/290	1.38/35	.71/18	.47/12	M12 x 1.75	1.02/26	7.60/193	.90/23	
P562436	LG-10-T	10" Level Gauge w/ Red Thermometer	10.00/254	11.42/290	1.38/35	.71/18	.47/12	M12 x 1.75	1.02/26	7.60/193	.90/23	
P562437	LG-10-TB	10" Level Gauge w/ Blue Thermometer	10.00/254	11.42/290	1.38/35	.71/18	.47/12	M12 x 1.75	1.02/26	7.60/193	.90/23	
P563909	LG-10-TB-SS	10" Level Gauge w/ Blue Thermometer & Stainless Bolt kit	10.00/254	11.42/290	1.38/35	.71/18	.47/12	M12 x 1.75	1.02/26	7.60/193	.90/23	

Fast-Mount Kits

Donaldson Part No.	Description
P563513	LG-3/3T
P563514	LG-5/5T, 10/10T

Fast Mount Assembly Instructions



Installation: Tighten nuts on bolts to the point where nuts are snug against bushings. Apply one drop of thread lock to last exposed thread at end of bolts. Mount on tank and tighten to 7 ft.-lbs./1kg-m. (**DO NOT OVER-TIGHTEN**).

Removal: Loosen bolts and remove. (**IMPORTANT: THREAD LOCK PREVENTS OVER-LOOSENING OF BOLTS TO POINT WHERE NUTS DROP OFF INTO TANK.**)